



MERRITT SYNERGY™
OPERATOR CHAIR SYSTEMS



J.R. MERRITT® 
CONTROLS



MERRITT SYNERGY™

OPERATOR CHAIR SYSTEMS

Combining superior comfort and adjustability, the MERRITT SYNERGY line of operator chair systems brings ease-of-use and productivity to new heights.

TABLE OF CONTENTS

ADVANTAGES & APPLICATIONS	3
ADJUSTABILITY	4
SEATING & SUSPENSION	5
CONTROL CONSOLES	7
JOYSTICKS & HANDLES	8
FOOTRESTS & SLIDES	9
MODELS & SPECIFICATIONS	10
DIMENSIONAL DRAWINGS	11

ADVANTAGES & APPLICATIONS

ADJUSTABILITY



IMPROVED NECK & UPPER BACK SUPPORT

The MERRITT SYNERGY chair systems feature a multitude of adjustment capabilities to help optimize comfort and reduce stressful seating positions for operators of all statures, from less than five feet tall to well over six feet in height.



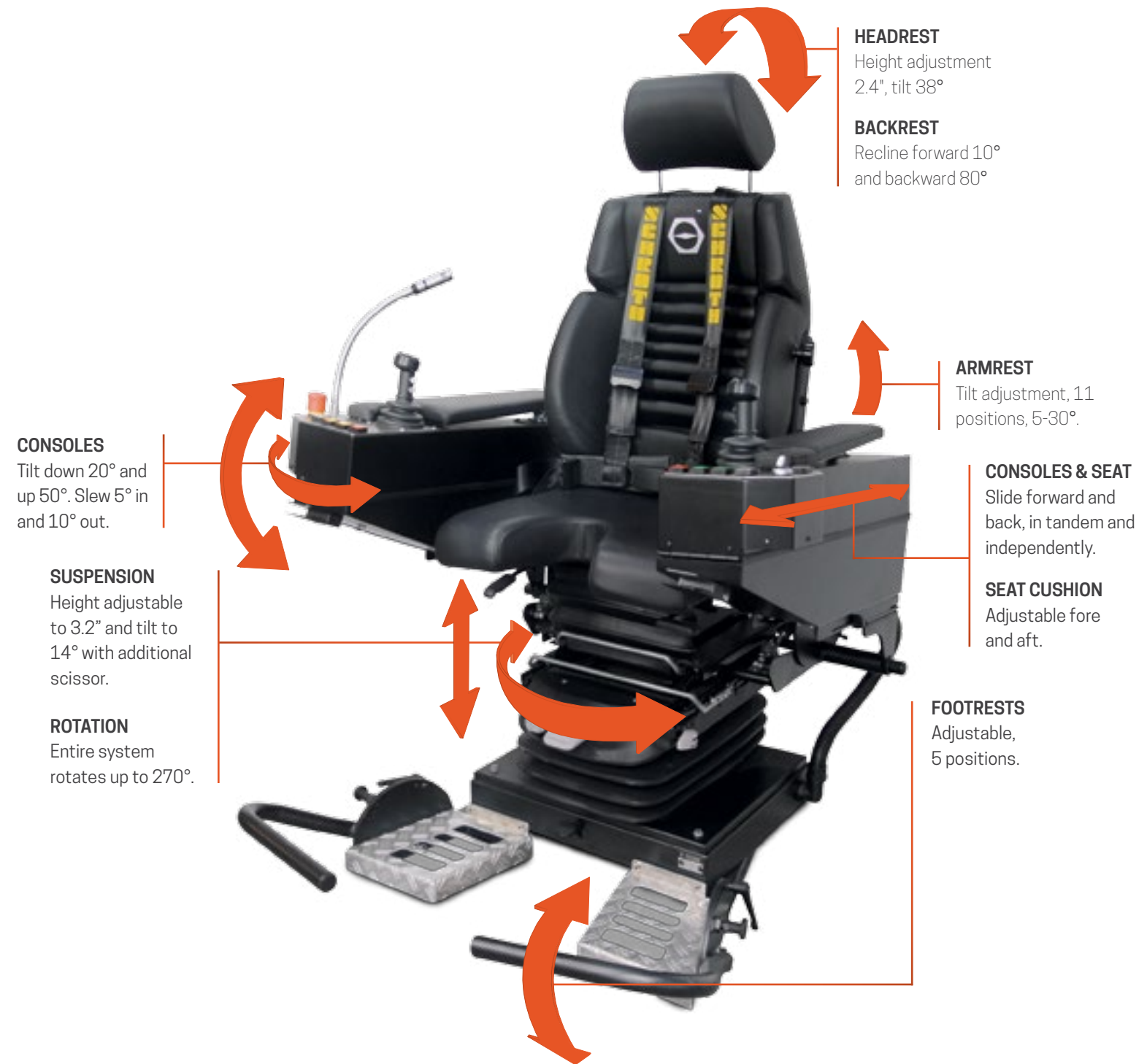
HIGH RESOLUTION, PRECISION CONTROL

High-resolution joysticks allow finer movement over a wider arc, helping the operator to hit the target with less stress and fewer corrections. Engineered for continual use in a multitude of environments.



APPLICATIONS

The MERRITT SYNERGY's consoles, seats, suspension, armrests, and optional footrests offer numerous independent adjustments in a heavy-duty package. The system's integrity, strength and adjustability make this premium line very popular for all machine and industrial cabin applications. Its versatile design, with many features and options, make the system highly customizable. MERRITT SYNERGY systems are commonly used on Cab Operated Cranes, Pulpits, Mining Dredges, Draglines, Drills, and Maintenance of Way Equipment.



FEATURES & OPTIONS SEATING & SUSPENSION

FEATURES KOENIG SEAT



*U-cut seat style shown.
Also available as full seat.*

The Koenig Operator Seat is a full-body contoured seat for optimum back and lateral stability.

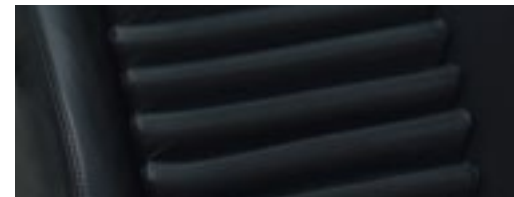
This fully adjustable seat comes standard with highly durable black cloth upholstery, mechanical lumbar support, continuously adjustable recline, foldable backrest, adjustable seat depth and adjustable headrest.

Our leather seat includes all of the standard features above along with an extra upper lumbar tilt adjustment and adjustable side support. Baffles are incorporated into the backrest to allow for increased airflow.

MATERIAL STANDARD OPTIONAL*



BLACK CLOTH WITH SMOOTH BACKREST



BLACK LEATHER WITH BAFFLES

SEAT STYLE



FULL SEAT



U-CUT SEAT

HEATED**

HEATED**

ADDITIONAL OPTIONS*

- ELECTRIC BACKREST ADJUSTMENT
- MOTOR DRIVEN SEAT ADJUSTMENT
- OPERATOR PRESENCE SWITCH
- 2-POINT RETRACTABLE SEAT BELT
- 4-POINT SHOULDER HARNESS
- TILT & HEIGHT ADJUSTABLE ARMRESTS

OPTIONS ACTIMO SEAT



The Actimo operator seat offers a large range of quick and easily accessible adjustment features to adapt to most individuals in a range of applications. Standard features include mechanical lumbar support and ultra-tough velour or vinyl upholstery along with fore and aft seat slides, backrest tilt, cushion tilt, depth adjustment, document pouch and adjustable headrest.

MATERIAL STANDARD OPTIONAL*



VELOUR



BLACK VINYL

BLACK LEATHER

ADDITIONAL OPTIONS*

- ARMRESTS WITH TILT ADJUST
- 2-POINT RETRACTABLE SEAT BELT
- 4-POINT SHOULDER HARNESS
- OPERATOR PRESENCE SWITCH

FEATURES SUSPENSION & RISERS

- Mechanical scissor for tilt and additional height adjustment.
- Dual seat and console slide system allows the consoles and seat to slide together or the seat to slide independently of the consoles.
- Wide, pneumatic, heavy-duty suspension with 12 or 24v operation. Max. weight capacity of 375 lbs. (170 kg). Includes mechanical lumbar support and adjustment.



*Optional features typically increase production time 4 - 6 weeks. **Heated option includes seat and backrest 12 VDC

FEATURES & OPTIONS CONTROL CONSOLES

FEATURES CONTROL CONSOLES

Customizable consoles feature a full range of adjustability to increase the comfort of your operators. Gas shock assisted tilt and movement capabilities are activated by conveniently located push buttons or levers, simplifying and speeding up the adjustment process. Console mounted armrests with angle adjustment help provide the necessary upper body support for applications when the operator is required to lean forward. Wired to your specifications.



Standard console paint color is light gray. Optional custom colors, including black, are available.



STANDARD 10" CONSOLE

Removable covers that allow 8 buttons and 1 joystick or 6 buttons and 2 joysticks.



STANDARD 12" CONSOLE

Removable covers that allow 14 buttons and 1 joystick or 12 buttons and 2 joysticks.



CUSTOM-SIZED CONSOLE

Custom console with widths available up to 15" wide.

CONSOLE OPTIONS

STAINLESS STEEL COVERS

STANDARD OPTIONAL*



CUSTOMIZED CONTROLLERS



CUSTOM WIRED-PILOT DEVICES



BLACK LEATHER HANDREST



CUP HOLDERS

OPTIONS JOYSTICKS

J.R. Merritt VNSO and VNS2 high-resolution joysticks provide the right combination of low cost of ownership and rugged reliability. See for yourself why J.R. Merritt high-resolution joysticks are the first choice in mission-critical applications where downtime is not an option.

- Single or multi-axis
- Non-contacting and contacting technologies
- Maintained, stepped, spring return, or friction-held handle action
- Drop-in or panel-mounted controllers
- And more

VNSO | MULTI AXIS



- Panel mounted
- High duty cycle applications
- Step, stepless or friction brake
- Supports multiple handle functions & output devices

NNSO | MULTI AXIS



- Large-diameter operating shaft
- Panel or drop-in mounting
- Step, stepless or friction brake
- Supports multiple handle functions & output devices

VCSO | MULTI AXIS



- Compact, panel mounted
- Step, stepless or friction brake
- Supports multiple handle functions & output devices

NS3 | MULTI AXIS



- Drop-in mounting
- Step, stepless for PROFIBUS and CAN bus
- Supports multiple handle functions & output devices

PRO4 | SINGLE AXIS



- Compact, panel mounted
- Step, stepless or friction brake
- Supports multiple handle functions & output devices

CS1 | MULTI AXIS



- Ultra-compact, panel mounted
- Step, stepless or friction brake
- Supports multiple handle functions & output devices

VISIT JRMERRITT.COM TO SEE OUR FULL LINE OF JOYSTICKS & CONTROLLERS

HANDLES

Multi-function grips put functionality at the operator's fingertips and provide benefits in efficiency, space and design. We provide standard and custom multi-function grips to personalize your equipment.



FEATURES & OPTIONS FOOTRESTS & SLIDES

OPTIONS FOOTRESTS

Footrests turn with the system and are highly adjustable to suit each individual operator and a variety of working positions.

- 2-piece open footrest
- Adjustable 2-piece with hinge for sideways adjustment



OPTIONS FOOT PEDAL



Heavy-duty foot pedals are designed with rugged, sealed construction, suitable for precise control in high duty cycle applications.

Available in:

- Proportional
- Step
- On/Off

OPTIONS FLOOR SLIDES

Floor slides optimize installation space and provide improved usability for various tasks. Floor slide sections are available in custom lengths up to 6000mm (19'). The stainless steel, roller-action floor slide has a quick release adjustment lever that can be operated while seated.

- Manual or solenoid floor slides
- Various slide ranges available



SPECIFICATIONS MODELS

FSRHD-G

Heavy-duty, fully adjustable operator armchair system ideal for machine and industrial cabin applications including pulpits, simulators, cranes, mining dredges and shovels. The armchair's versatile design makes it highly customizable, easy to use, and less bulky than other models. Developed to accommodate operators of different statures in a variety of cabin configurations, the FSRHD-G armchair system has multi-adjustable armrests and footrests.



FSRHD-2G

Building on the attributes of the FSRHD-G, the 2G chair system has been engineered with additional levels of adjustability and ease-of-use to further cater to the needs of equipment operators. The tilt and movement capabilities of the consoles are controlled by conveniently located push buttons or levers, simplifying and speeding up the adjustment process. Featuring a sleek new design, the chair system's wires and cable routing are fully integrated within the unit.

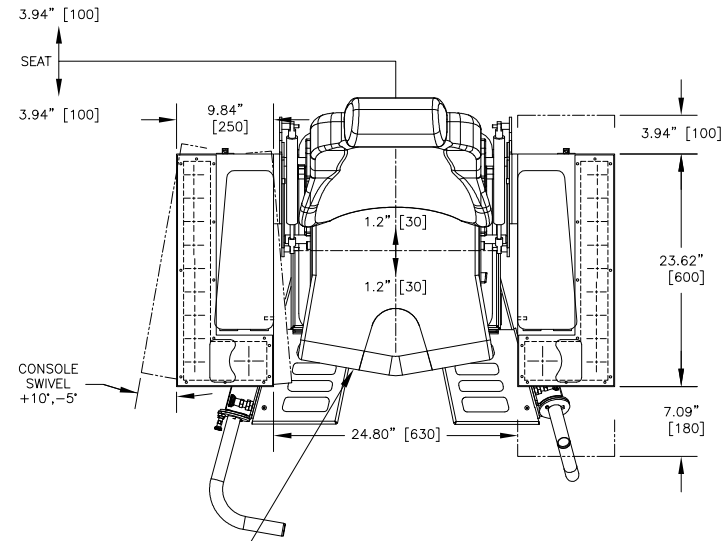


FSRHD-G & FSRHD-2G SPECIFICATIONS W/ KOENIG SEAT

Rotation	270° max
Seat Slide	15.6" [400 mm] total adjustment 7.8" [200 mm] seat slide range 7.8" [200 mm] seat and consoles slide range
Backrest Recline	10° (forward) - 0° - 80° (backward)
Seat Cushion Adjustment	Depth 3.9" [100 mm]
Scissors	Height: adjustable to 3.2" [80 mm] Tilt: adjustable to 14°
Armrests	11 positions, 5° - 30°
Consoles	Tilt: -20° (down), +50° (up) Slew: 5° in to 10° out
Headrest	Height adjustment: 2.4" [60mm] Tilt: 38°
Heavy-Duty Air Suspension	Max Weight: 375 lb [170 kg] Automatic weight adjustment 12-24 VDC models

SPECIFICATIONS FSRHD-G OVERALL DIMENSIONS

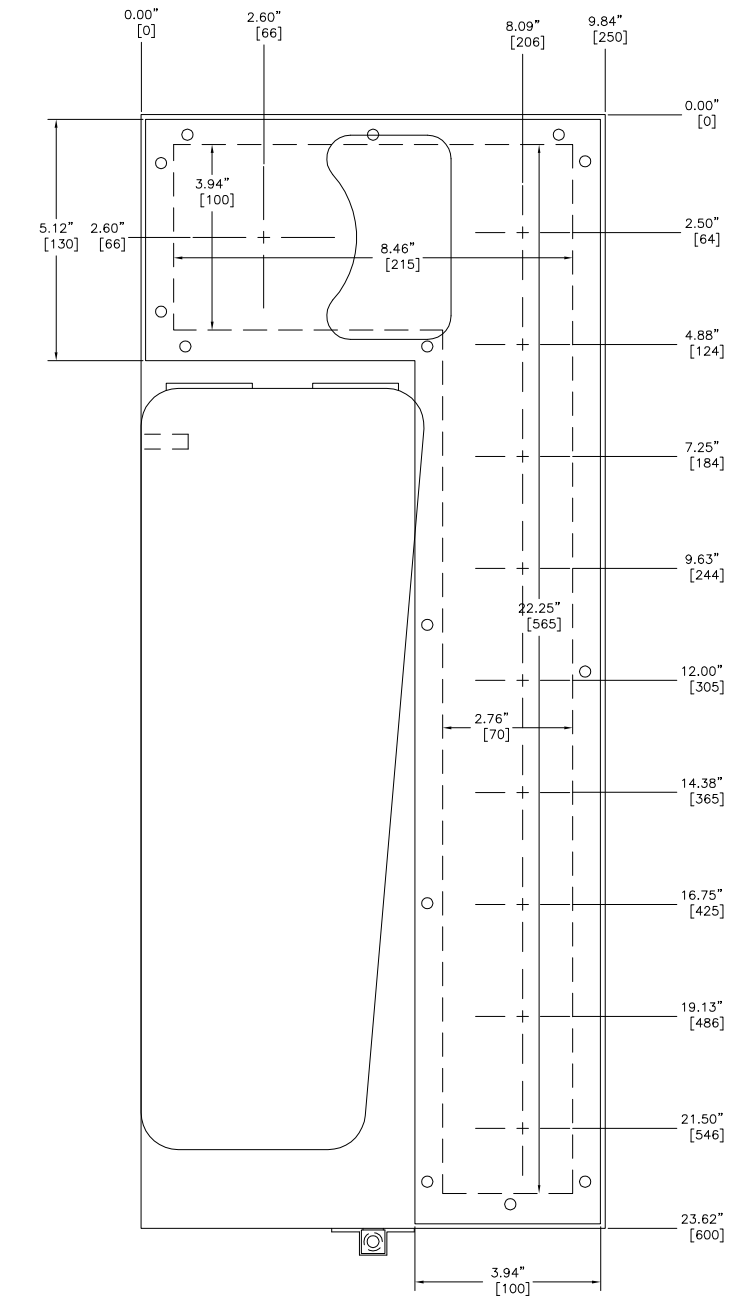
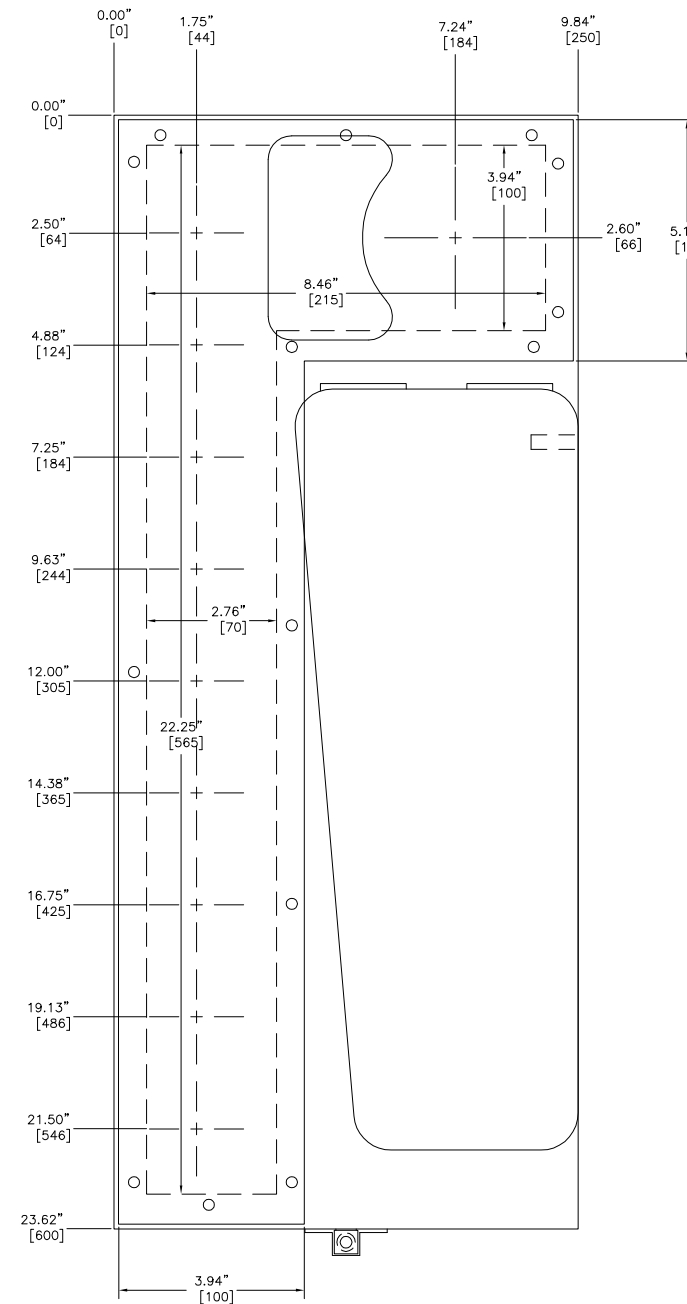
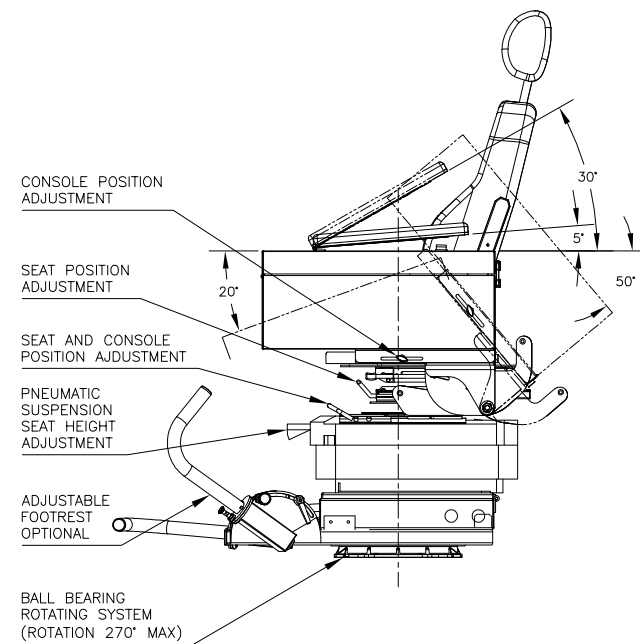
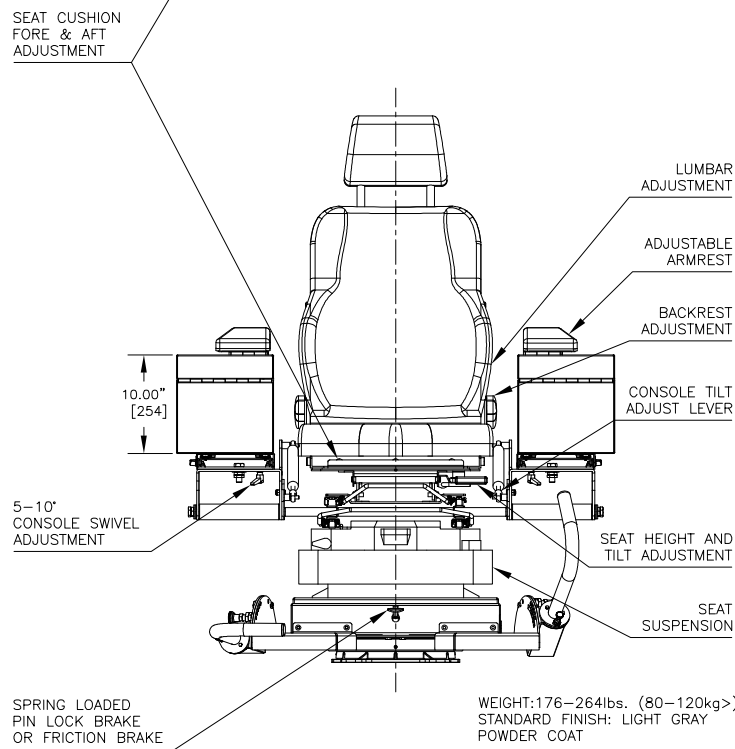
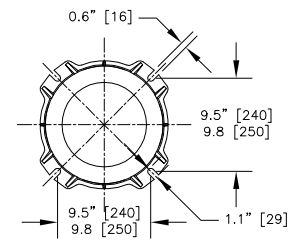
SPECIFICATIONS 10" CONSOLE



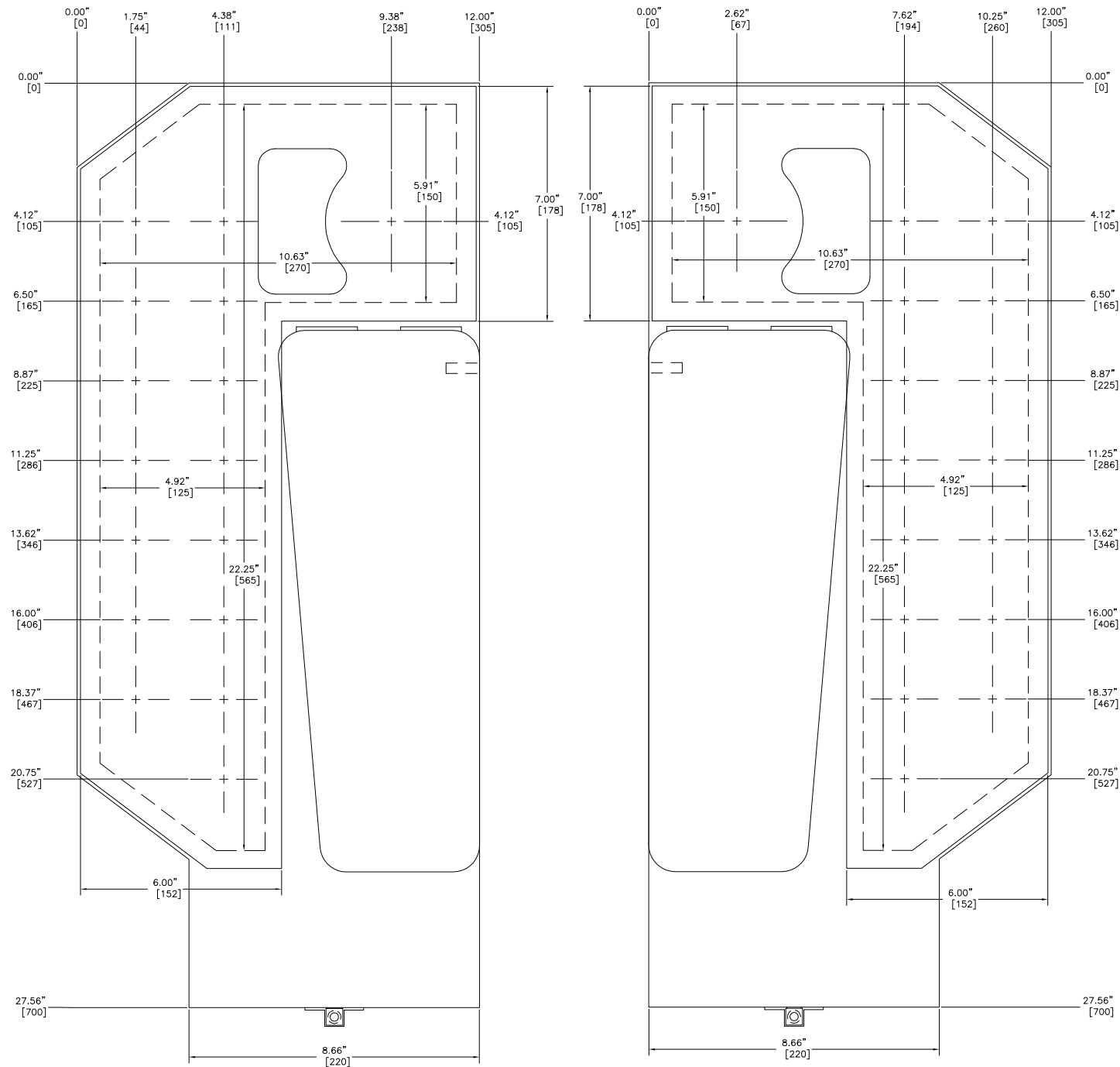
INDEPENDENTLY
ADJUSTABLE CONSOLES
TILT UP/DOWN
SLIDE IN/OUT
OTHER CONSOLE
SIZES AND SHAPES
AVAILABLE

CONSOLE MAX TURNING
WIDTH: RADIUS:

10"	30.5" [775]
12"	33.1" [840]



SPECIFICATIONS 12" CONSOLE



J.R. MERRITT CONTROLS



NO MATTER WHAT AXIS WE HAVE YOU COVERED

A DEDICATION TO
QUALITY & RELIABILITY

PRODUCTS CUSTOMIZED
FOR YOUR APPLICATION

ENGINEERING SUPPORT THAT
GOES THE EXTRA STEP

WANT MORE INFORMATION?



VISIT JRMERRITT.COM

- PRODUCT DETAILS AND DRAWINGS
- SPARE PARTS & INSTALLATION INSTRUCTIONS
- NEW PRODUCTS & COMPANY NEWS

1-800-333-5762
PHONE: 203-381-0100 FAX: 203-381-0400
INFO@JRMERRITT.COM WWW.JRMERRITT.COM

55 SPERRY AVENUE
STRATFORD, CT 06615

