

MERRITT SELECT OPERATOR CHAIR SYSTEMS



FORMERLY FSA/FSAD & LRC/LFC

The industry standard for cranes and a range of cab-operated equipment, the MERRITT SELECT operator chair system offers a balance of adjustments and ruggedness in a field proven design.

FEATURES

- Rotating or fixed base with fixed, customizable consoles
- Heavy-duty steel construction with black powder coat finish
- Dual seat and console slide system that allows the consoles and seat to slide together or individually
- Tilt, vertical and horizontal adjustable armrests
- Mechanical or pneumatic suspension



HEAVY DUTY & RUGGED



ECONOMICAL DESIGN



PRECISION CONTROL

OVERVIEW	PG 2
ADJUSTABILITY BASE OPTIONS	

SUSPENSION	PG 4
SUSPENSION OPTIONS	

SEATING	PG 5
SEAT TYPES SEAT ADD-ONS	

CONSOLES	PG 6
CONSOLE SIZES CONSOLE OPTIONS	

FOOT RESTS & FLOOR SLIDES	PG 7
FOOT RESTS FOOT PEDALS FLOOR SLIDES	

SPECIFICATIONS	PG 8
DIMENSIONS CONSOLE LAYOUTS	

ADJUSTABILITY



STANDARD OPTIONAL

1 CONSOLES

Optional flip-up consoles for simplified seat entrance in smaller cabs.

2 SLIDE SYSTEM

Dual seat and console slide system allows the consoles & seat to slide together or the seat to slide independently of the consoles.

3 ROTATION

Optional system rotation up to 270°. Available with pin lock or friction brake locking mechanism.

4 HEADREST

Features height & tilt adjustment.

5 BACKREST

Seat backrest reclines backward & collapses forward.

6 ARMRESTS

Features tilt, vertical, & horizontal adjustments for operator comfort.

7 SUSPENSION

Mechanical or pneumatic options available with height, weight compensation, & shock absorption adjustments.

BASE OPTIONS

ROTATING BASE

Entire system rotates up to 270°



OR

FIXED BASE

Fixed system with no rotation



ROTATING BASE TYPE



STANDARD

Accommodates up to 150 terminal blocks

FIXED BASE TYPE



STANDARD

Accommodates up to 55 terminal blocks

OR



ROUND

Accommodates up to 150 terminal blocks

ROTATION TYPE



FRICTION BRAKE

System holds throughout +/- 135° of travel.

OR



PIN LOCK

4 locking positions (every 90°). Positions can be customized to your specifications.



Standard rotating base with pin lock rotation

MECHANICAL



MECHANICAL SUSPENSION FEATURES

- Mechanical weight adjustment (up to 309 or 400 lbs).
- Height adjustment of 3.2 in [80 mm] in 4 increments (4-step model only).



WEIGHT UP TO
309 LB
[140 KG]

4-STEP W/ LIFT ASSIST

PART #: 70.312



WEIGHT UP TO
400 LB
[180 KG]

HEAVY DUTY

PART #: 70.565

PNEUMATIC (AIR)

PNEUMATIC SUSPENSION FEATURES

- Automatic weight adjustment and positioning system that eliminates the process of manually setting the seat to the operator's weight.
- Adjustable shock absorption level that is ideal for machinery with rugged operations and/or conditions.
- Fore / aft isolator that reduces jolts / vibration and allows horizontal shock absorption.



WEIGHT UP TO
330 LB
[150 KG]

STANDARD

12V PART #: 07.803

24V PART #: 07.861

OR

WEIGHT UP TO
375 LB
[170 KG]

WIDE

24V PART #: 70.327

OR

WEIGHT UP TO
485 LB
[220KG]

HEAVY DUTY

24V PART #: 70.465

ACTIMO SEAT

STANDARD FEATURES

- Ultra-tough velour or vinyl upholstery
- High backrest for optimum back and side support
- Contoured cushion design for increased comfort
- Field replaceable cushions (backrest and seat)
- Document pouch



VELOUR
PART #: 07.942

OR



VINYL
PART #: 07.961

ADJUSTMENT FEATURES



BACKREST RECLINE & COLLAPSE

Features 80° backrest recline adjustable in 2° increments & the ability to fold forward for transportation and service.



HORIZONTAL SEAT SLIDE

8" of horizontal forward & backward seat movement independent of the system's consoles.



LUMBAR SUPPORT

Mechanically controlled lumbar support that adjusts the curvature & height of the backrest cushion.



SEAT CUSHION DEPTH & TILT

Adjusts forward 2.4" in 5 increments. Also tilts 3° - 11° in 4 increments to reduce thigh pressure.



SEAT OPTIONS



ADJUSTABLE HEADREST
(VELOUR) PART #: 07.693
(VINYL) PART #: 07.964



LAP SEAT BELT
PART #: 12.020



OPERATOR PRESENCE SWITCH
(12V) PART #: 70.245
(24V) PART #: 70.244

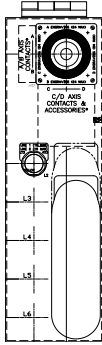


LAP SEAT BELT WITH ELECTRICAL CONTACT
PART #: 12.015



4-point retractable harness also available.

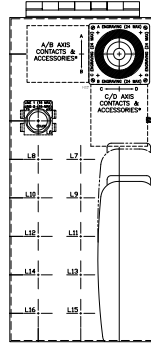
CONSOLES WIDTH



6"

Allows for 5 devices & 1 joystick

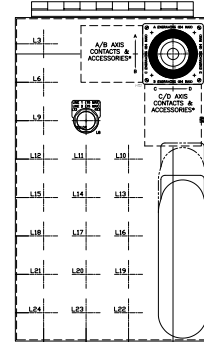
OR



9"

Allows for 11 devices & 1 joystick
or 8 devices & 2 (1-axis) joysticks

OR



12"

Allows for 19 devices & 1 joystick
or 15 devices & 2 joysticks

CONSOLES OPTIONS

*22 mm pilot devices available upon request



JOYSTICKS & CONTROLLERS

- Multi-Axis Joysticks
 - Single Axis Controllers
 - Rotary Switches
- See the full range at jrmerritt.com



30.5 MM* PILOT DEVICES

- Push Buttons
- Illuminated Push Buttons
- E-Stops
- Selector Switches
- Indicator Lights
- Alarms / Buzzers



FLIP-UP CONSOLES

Allows for easy seat access where space is limited



CUP HOLDERS

Console mounted cup holder on left and / or right console



LOUVERS

Plastic louvers for console ventilation



STAINLESS COVERS

Stainless steel console covers for marine applications

FOOTRESTS



2-PIECE FIXED

Two diamond plate, fixed footrests that rotate with system



1-PIECE FIXED

Platform-style, diamond plate footrest that rotates with system

OR

FOOT PEDALS

J.R. Merritt heavy-duty foot pedals are designed with rugged, sealed construction, and are suitable for precise control in high duty cycle applications.

Available in:

- Proportional
- Step
- On/Off



FP1

Step or proportional control. Learn more at jrmerritt.com



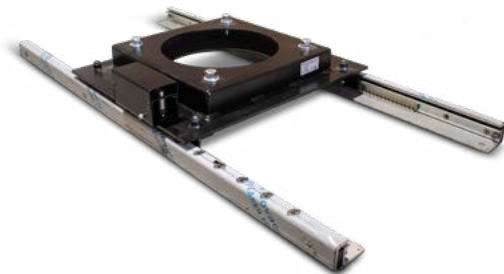
FP7

On/off control. Learn more at jrmerritt.com

OR

FLOOR SLIDES

*Custom length floor slides available upon request



24" (STANDARD)

Floor slide with 24" travel and 24VDC solenoid lock

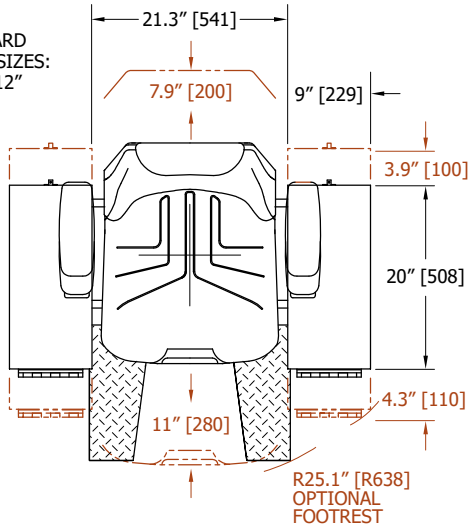
Floor slides can optimize installation space and provide improved usability for various operational tasks. J.R. Merritt Controls floor slides are stainless steel and feature quick release adjustment that allow for slide operation while seated.

Standard features:

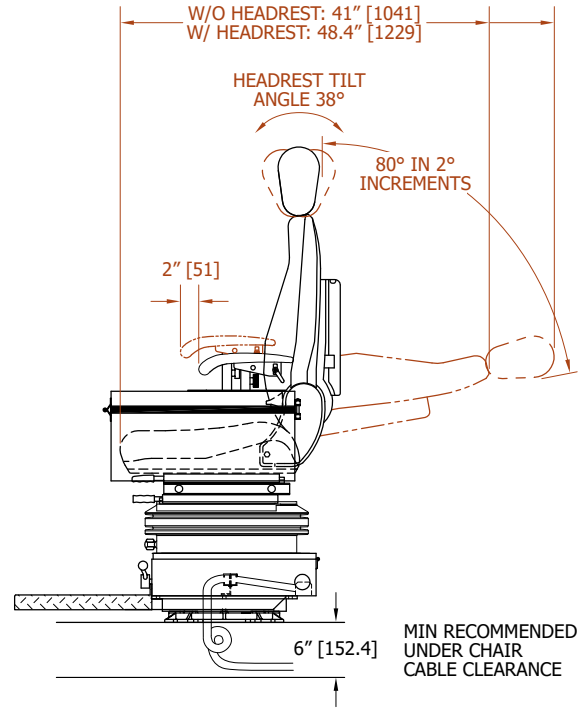
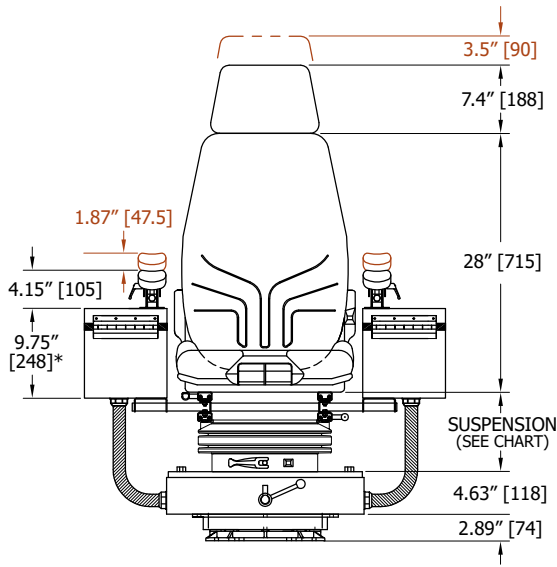
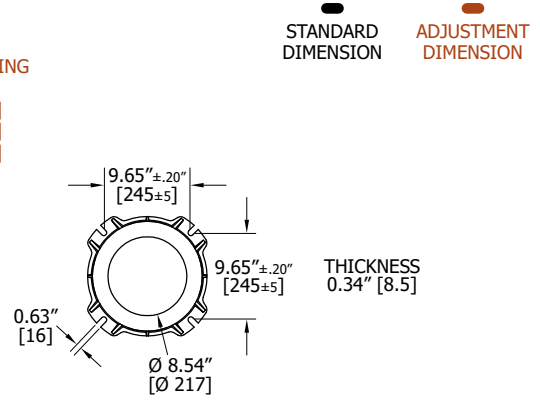
- 24" of slide travel*
- 24VDC solenoid lock

DIMENSIONS | MERRITT SELECT WITH ROTATING BASE

STANDARD
CONSOLE SIZES:
6", 9", 12"



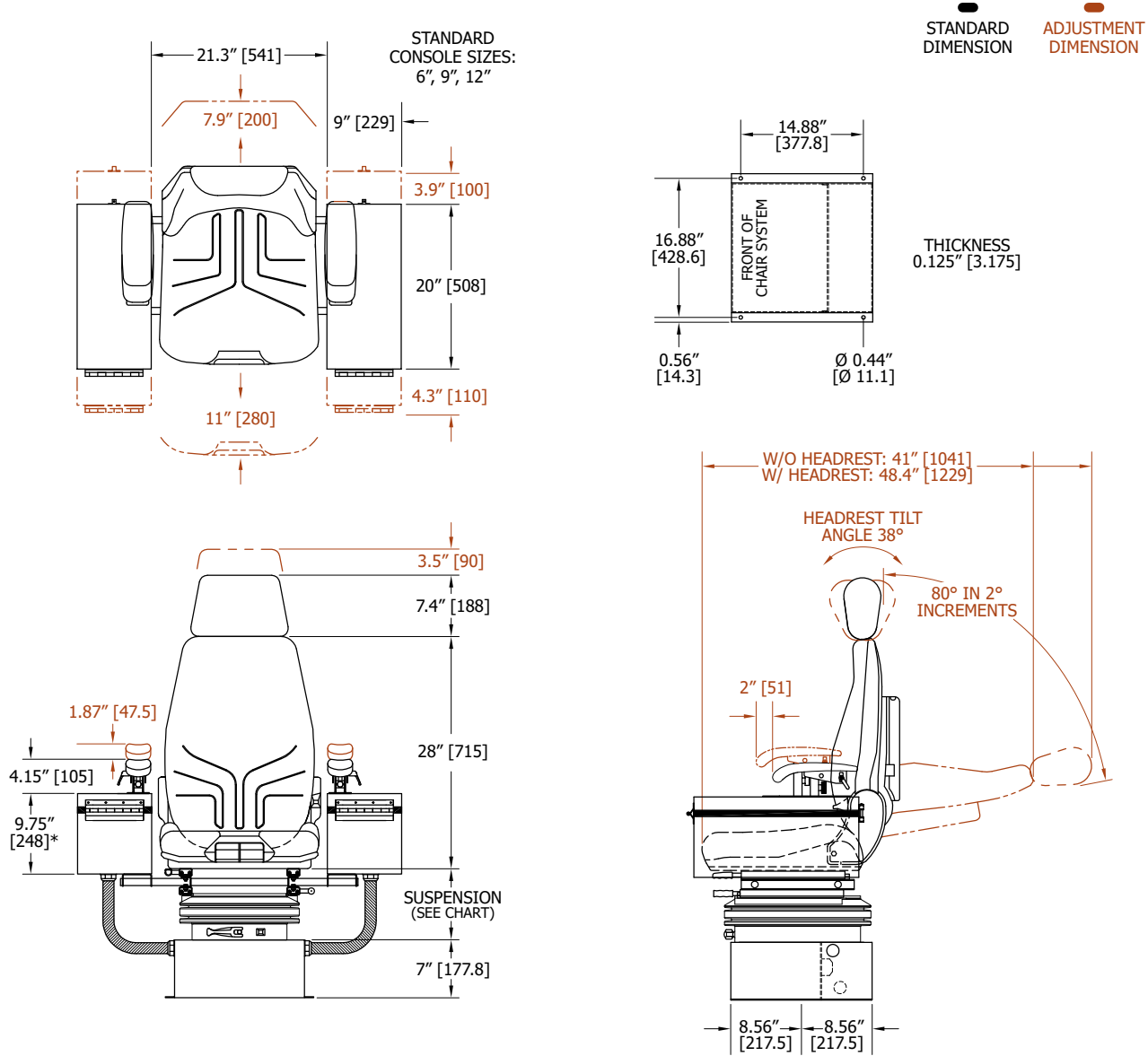
CONSOLE WIDTH:
6" 23.8" [605]
9" 26.0" [661]
12" 28.4" [721]



*OPTIONAL FLIP UP CONSOLES: 8.25" [209.6]

Suspension	1st Position	2nd Position	3rd Position	4th Position	Suspension dimensions are subject to weight compensation adjustment. The above specifications are a generic representation of a custom built product and are for sales clarification only. Contact us if dimensions are critical or if a certified drawing is required.
4-Step Mechanical	6" [153]	7.2" [183]	8.4" [213]	9.2" [233]	
Heavy Duty Mechanical	11" [279.4] fixed height				
Pneumatic (Air)	Auto to 7.8" [199] / Adjust +3.2" [80], -0.0" [0]				

DIMENSIONS | MERRITT SELECT WITH FIXED BASE



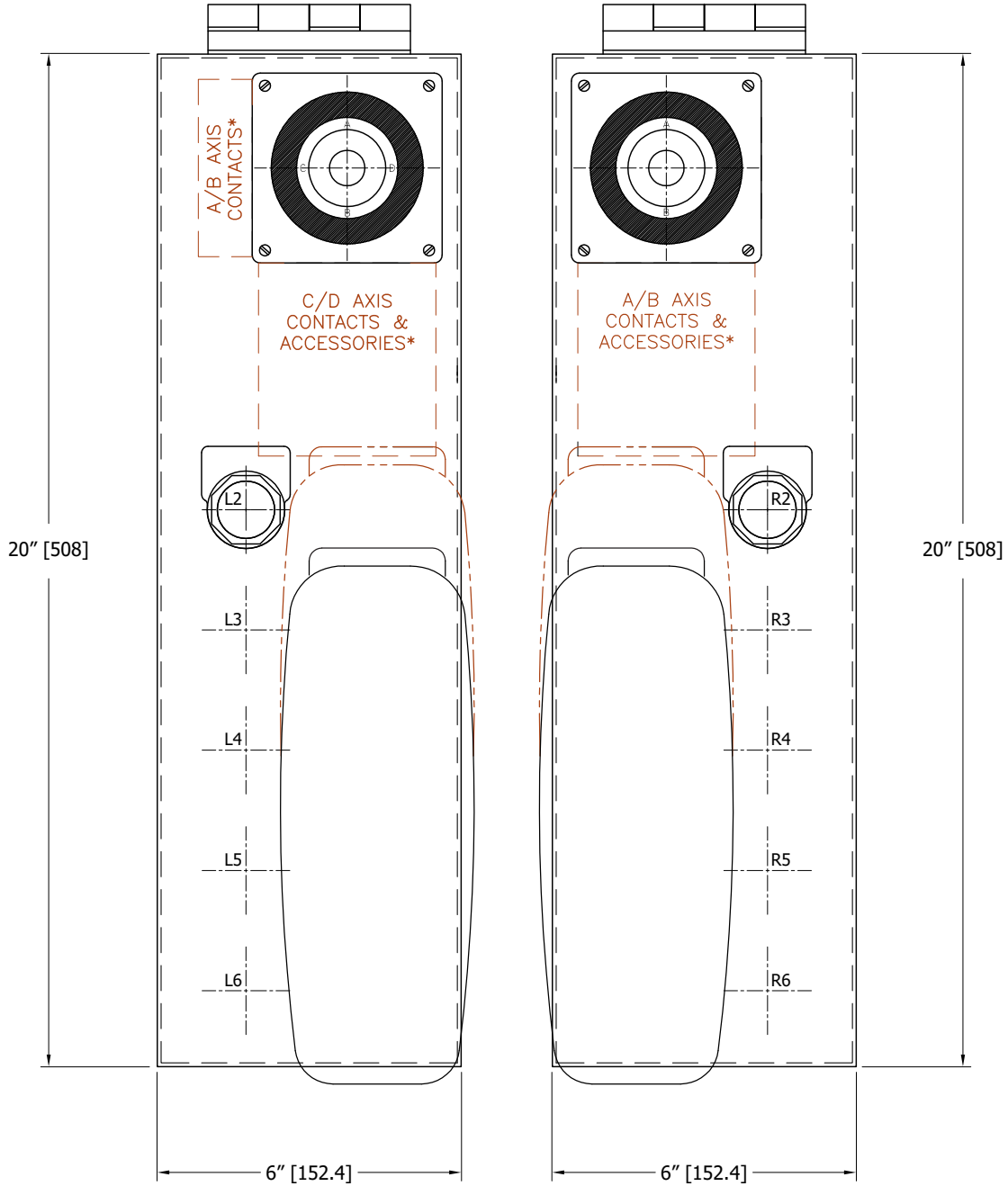
*OPTIONAL FLIP UP CONSOLES: 8.25" [209.6]

Suspension	1st Position	2nd Position	3rd Position	4th Position	Suspension dimensions are subject to weight compensation adjustment. The above specifications are a generic representation of a custom built product and are for sales clarification only. Contact us if dimensions are critical or if a certified drawing is required.
4-Step Mechanical	6" [153]	7.2" [183]	8.4" [213]	9.2" [233]	
Heavy Duty Mechanical	11" [279.4] fixed height				
Pneumatic (Air)	Auto to 7.8" [199] / Adjust +3.2" [80], -0.0" [0]				

6" CONSOLE

LEFT CONSOLE
SHOWN WITH 2-AXIS JOYSTICK

RIGHT CONSOLE
SHOWN WITH 1-AXIS CONTROLLER

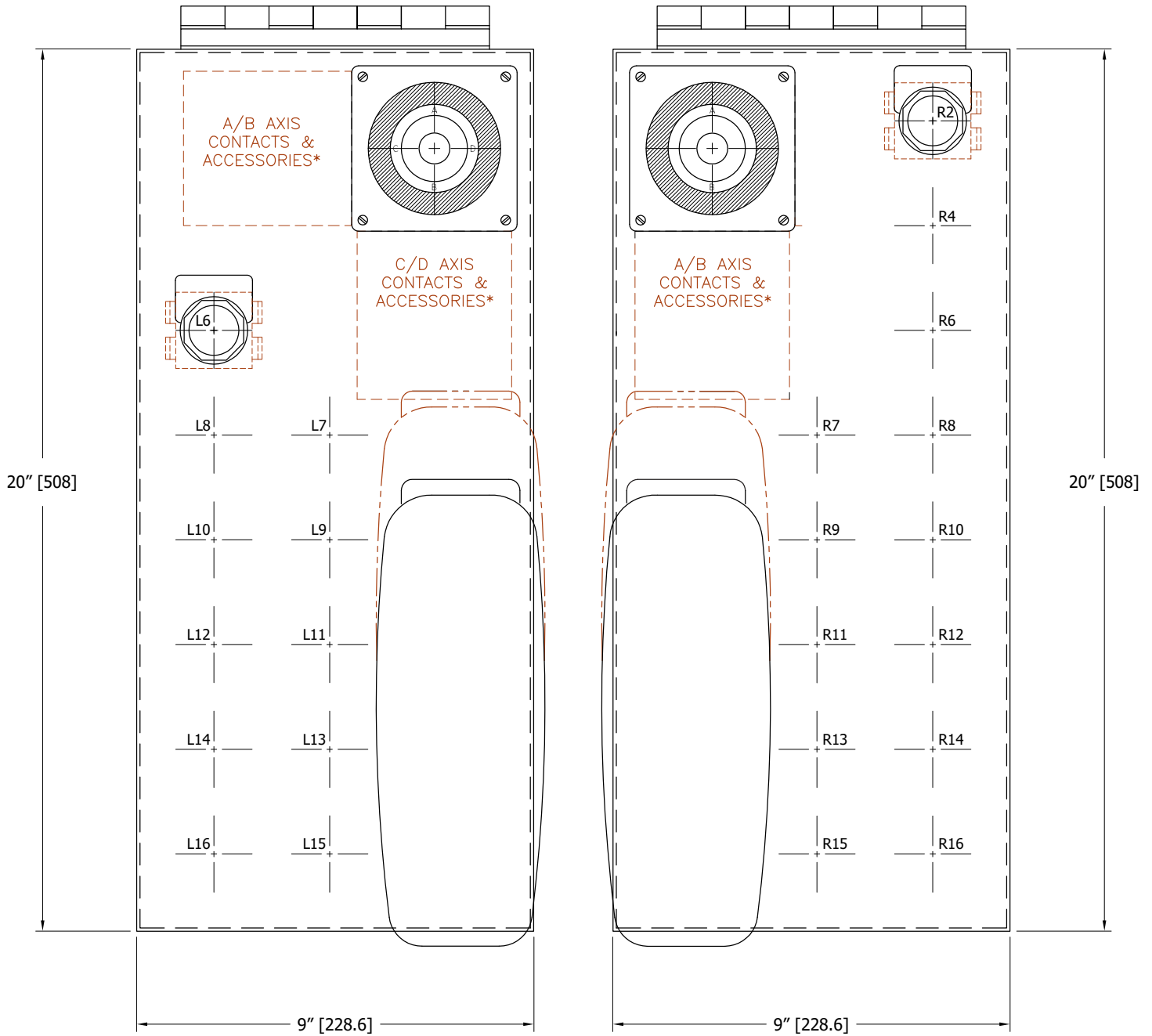


*C/D outline represents joystick drive 5 contact blocks or 2 contact blocks with a potentiometer or encoder.
A/B outline represents joystick drive with 1 contact block

9" CONSOLE

LEFT CONSOLE
SHOWN WITH 2-AXIS JOYSTICK

RIGHT CONSOLE
SHOWN WITH 1-AXIS CONTROLLER

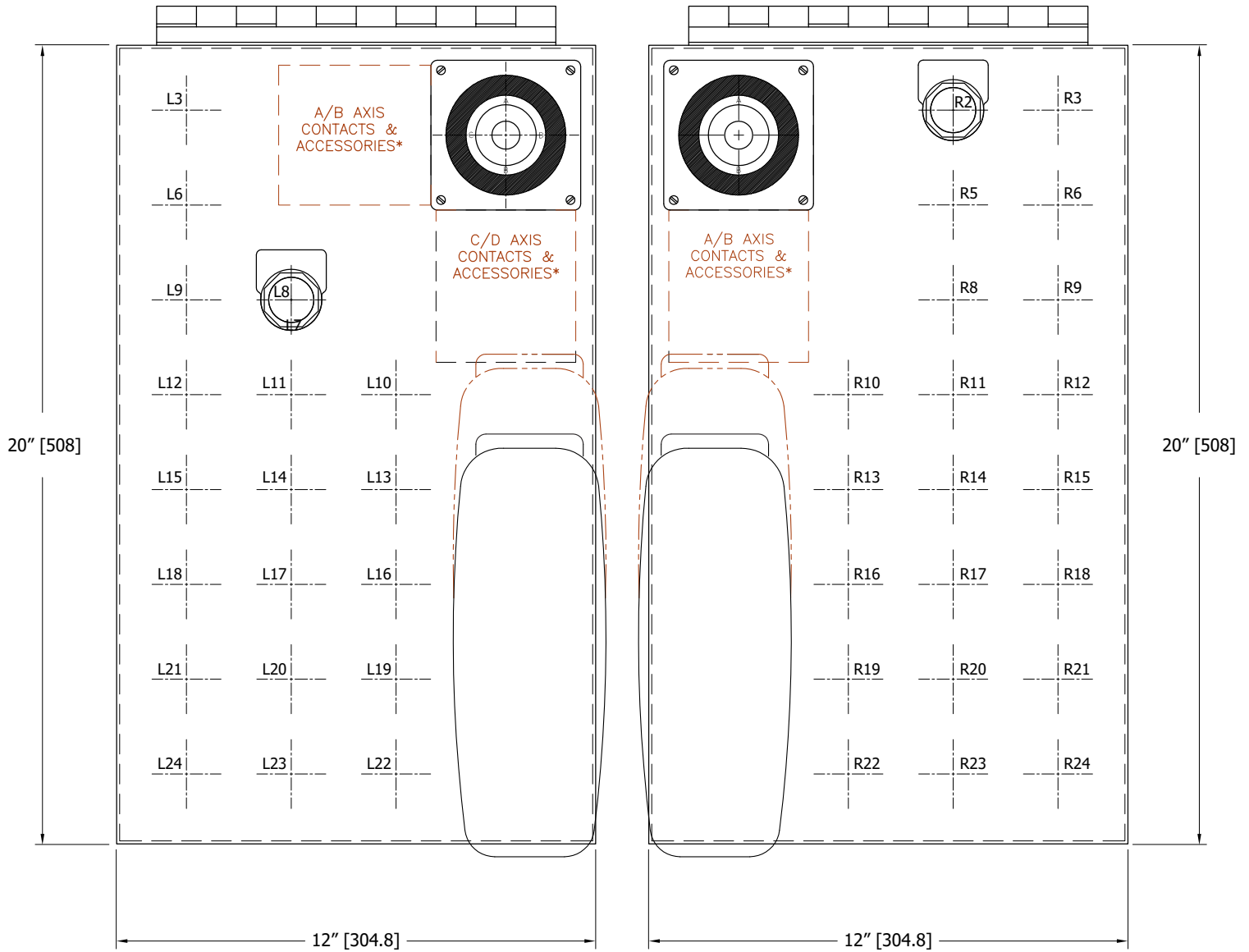


*Outline represents joystick drive with 5 contact blocks or 2 contact blocks with a potentiometer or encoder

12" CONSOLE

LEFT CONSOLE
SHOWN WITH 2-AXIS JOYSTICK

RIGHT CONSOLE
SHOWN WITH 1-AXIS CONTROLLER



*Outline represents joystick drive with 5 contact blocks or 2 contact blocks with a potentiometer or encoder