

CS3 BANG / BANG MULTI-AXIS JOYSTICK



The CS3 B/B is an extremely rugged switch joystick designed specifically for bang / bang (on / off) operation. The durable housing and center pivot design make this device resistant to abuse and ideally suited for high duty cycle applications.

STANDARD FEATURES

- Compact and rugged construction design
- Proprietary blend, ultra-tough boot
- V series snap action switches
- Environmentally sealed mounting and corrosion resistant components



COMPACT &
ULTRA TOUGH



ECONOMICAL
DESIGN



HIGH LIFE
SWITCHES

JOYSTICK OPERATION

PG 2

AXIS OPTIONS
HANDLE TRAVEL OPTIONS
SHAFT DIAMETER OPTIONS

OUTPUT / COMMUNICATIONS

PG 3

SWITCH SPECIFICATIONS

MOUNTING

PG 4

MOUNTING STYLE OPTIONS
MOUNTING FOOTPRINT / DIMENSIONS

HANDLES


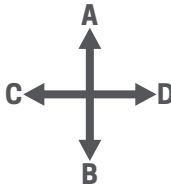
PG 5


HANDLE OPTIONS & COMPATABILITY



SPECIFICATIONS



PG 6

DIMENSIONS
MECHANICAL SPECIFICATIONS
ENVIRONMENTAL SPECIFICATIONS

AXIS OPTIONS		
	OR	
SINGLE AXIS PART #: CS3EBB		DUAL AXIS PART #: CS3VBB

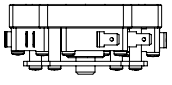
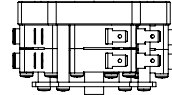
JOYSTICK ACTION

SPRING RETURN Returns to center

HANDLE TRAVEL OPTIONS		
	OR	
OPEN GATE +/- 15° handle deflection		CROSS GATE +/-15° handle deflection in each axis

SHAFT DIAMETER OPTIONS		
	OR	
STANDARD Standard shaft that allows up to 8 wires.		HEAVY DUTY (CS3HD) Heavy duty shaft that allows up to 16 wires



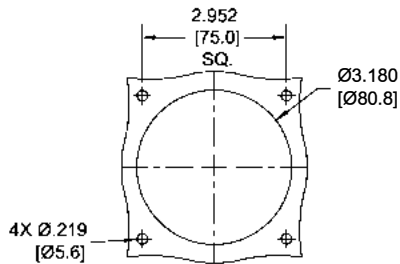
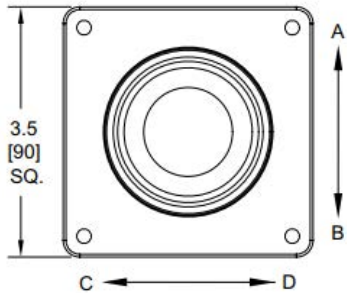
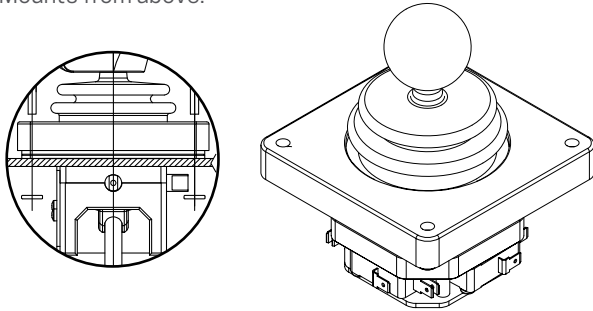


SPDT(FORM C) V SERIES MICROSWITCHES	
 2 PER AXIS Standard configuration	 4 PER AXIS Double configuration
CURRENT RATING (AC) 11A	CURRENT RATING (DC) 6A
VOLTAGE RATING (AC) 250	VOLTAGE RATING (DC) 12 - 24
TERMINATION .187" x 0.20" male quick connect	MAX. WIRE SIZE 18 AWG

MOUNTING STYLE OPTIONS

DROP-IN MOUNTING

Mounts from above.

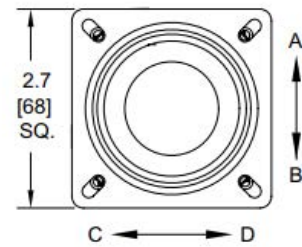
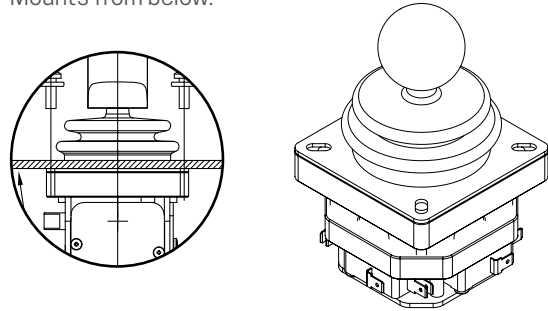


DI

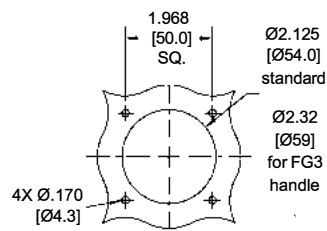
DROP-IN MOUNTING STYLE

PANEL MOUNTING

Mounts from below.

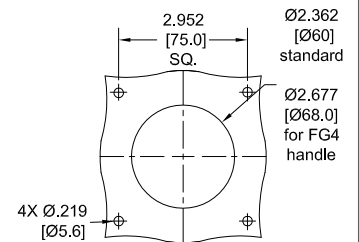


OR



P1

PANEL MOUNTING STYLE 1



P2

PANEL MOUNTING STYLE 2

All dimensions in inches [mm] and are subject to change.

HANDLE OPTIONS

BH

Lever handle with optional:

- (Top) Rocker Switch
- (Top) Momentary Push Button
- (Side) Lever Actuated Momentary Push Button



DI P1 P2 | HEIGHT: 4.9"

FG-3

Fighter grip handle with optional:

- Rocker Switches
- Thumbwheels
- Push Buttons
- Trigger



DI | HEIGHT: 7.5"

FG-4

Fighter grip handle with optional:

- Rocker Switches & Thumbwheels
- Push Buttons
- Trigger
- Hand Rest
- Twist Function



DI | HEIGHT: 8"

MG1

T Handle with optional:
Side Push Button



DI | HEIGHT: 2.9"

MG13

Twist handle with optional:
Side Push Button



DI P2 | HEIGHT: 3.2"

MG27

Options:

Extended or Recessed Push Button



DI P1 P2 | HEIGHT: 3.9"

ROUND BALL

Standard handle



DI P1 P2 | HEIGHT: 2.4"

RH

Rocker handle with handrest and optional:

- (Top) Rocker Switch
- (Top) Momentary Push Button
- (Top) Maintained Push Button
- (Side) Momentary Push Button



DI P2 | HEIGHT: 5.7"

RHS

Rocker handle with optional:

- (Top) Rocker Switch
- (Top) Momentary Push Button
- (Top) Maintained Push Button



DI P1 P2 | HEIGHT: 4.7"

TH25

Twist handle



DI P1 P2 | HEIGHT: 3.9"

CUSTOM HANDLES

Contact us today to learn more about our engineering & design services.

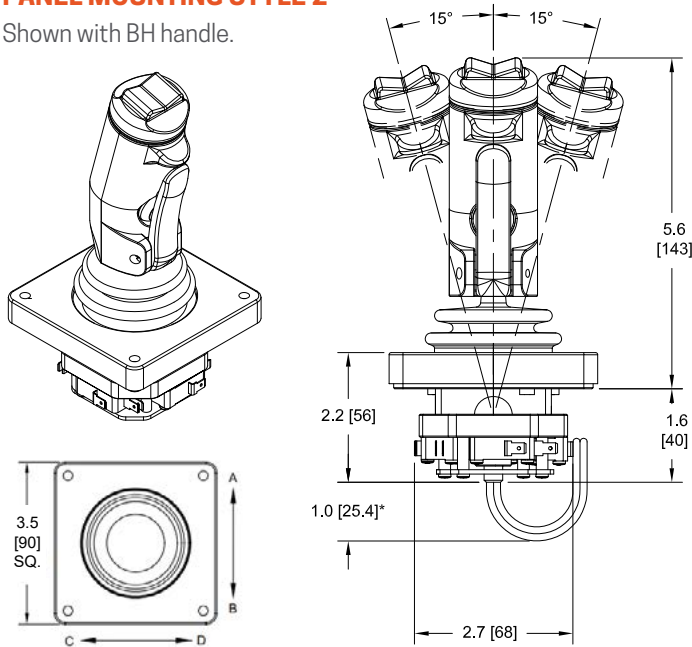


MOUNTING STYLE COMPATIBILITY: DI DROP-IN MOUNTING P1 PANEL MOUNTING STYLE 1 P2 PANEL MOUNTING STYLE 2

DIMENSIONS

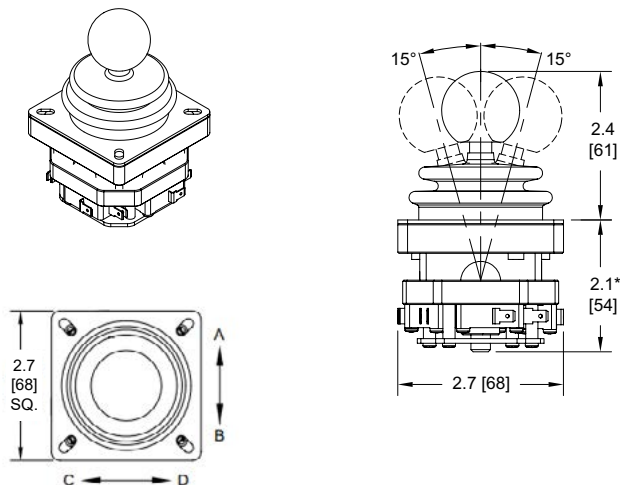
DROP-IN MOUNTING & PANEL MOUNTING STYLE 2

Shown with BH handle.



PANEL MOUNTING STYLE 1

Shown with round ball handle.



All dimensions in inches [mm] and are subject to change.

MECHANICAL DATA

Mechanical Life	20 million life cycles
Handle Travel	±15 degrees
Standard (CS3) Shaft	2.4" [61mm] shaft length 0.32" [8mm] shaft diameter
Heavy Duty (CS3HD) Shaft	2.4" [61mm] shaft length 0.40" [10mm] shaft diameter

ENVIRONMENTAL DATA

Operating Temperature	-13° to +158°F [-25° to +70°C]
Storage Temperature	-40° to +158°F [-40° to +70°C]
IP Rating	IP54

*Wired handles require additional 1" [25.4 mm] of clearance at the base of the shaft to ensure that the wire service loop can operate unobstructed in all directions.