

MERRITT ULTRA OPERATOR CHAIR SYSTEMS

FORMERLY SV1C

The MERRITT ULTRA consists of a rigid, heavy duty construction and oversized consoles to house a multitude of joysticks, controllers, and pilot devices.

FEATURES

- Rotating or fixed base with customizable, oversized consoles
- Heavy-duty steel construction with beige powder coat finish
- A range of seat adjustments for positioning flexibility
- Vertical adjustable, console-mounted armrests
- Mechanical or pneumatic suspension

J.R. MERRITT
CONTROLS 



OVERSIZED
CONSOLES



ROBUST
& RUGGED



PRECISION
CONTROL

OVERVIEW

PG 2

ADJUSTABILITY
BASE OPTIONS

SUSPENSION

PG 4

SUSPENSION OPTIONS

SEATING

PG 5

SEAT TYPES
SEAT ADD-ONS

CONSOLES

PG 6

CONSOLE SIZES
CONSOLE OPTIONS

FOOT RESTS & FLOOR SLIDES

PG 7

FOOT RESTS
FOOT PEDALS
FLOOR SLIDES

SPECIFICATIONS

PG 8

DIMENSIONS
CONSOLE LAYOUTS

ADJUSTABILITY



STANDARD OPTIONAL

1 ARMRESTS

Features vertical adjustable console-mounted armrests.

2 BACKREST

Seat backrest reclines backward & folds forward.

3 HEADREST

Features tilt & height adjustment.

4 SEAT SLIDE

Seat slides forward and backward independently of control consoles.

5 CONSOLES

Fixed, oversized consoles with flat or forward sloping covers. Optional console slide adjustment available.

6 ROTATION

Optional system rotation up to 270°. Available with pin lock or friction brake locking.

7 SUSPENSION

Mechanical or pneumatic options available with height, weight compensation, & shock absorption adjustments.

BASE OPTIONS

ROTATING BASE

Entire system rotates up to 270 degrees



OR

FIXED BASE

Fixed system with no rotation



ROTATING BASE TYPE



Accommodates up to 150 terminal blocks

FIXED BASE TYPE



Accommodates up to 150 terminal blocks

ROTATION TYPE



FRICION BRAKE

System holds throughout 270° of travel.

OR



PIN LOCK

4 locking positions (every 90°). Positions can be customized to your specifications.



Rotating base with friction brake rotation and optional 2-piece footrests

MECHANICAL



MECHANICAL SUSPENSION FEATURES

- Mechanical weight adjustment (up to 285 or 400 lbs).
- Height adjustment of 2.8 in (3-step only).



WEIGHT UP TO
285 LB
[130 KG]

3-STEP
PART #: 07.531



WEIGHT UP TO
400 LB
[180 KG]

HEAVY DUTY
PART #: 70.565

PNEUMATIC (AIR)

PNEUMATIC SUSPENSION FEATURES

- Automatic weight adjustment and positioning system that eliminates the process of manually setting the seat to the operator's weight.
- Adjustable shock absorption level that is ideal for machinery with rugged operations and/or conditions.
- Fore / aft isolator that reduces jolts / vibration and allows horizontal shock absorption.



WEIGHT UP TO
330 LB
[150 KG]

STANDARD
12V PART #: 07.803
24V PART #: 07.861

OR



WEIGHT UP TO
375 LB
[170 KG]

WIDE
24V PART #: 70.327

OR



WEIGHT UP TO
485 LB
[220KG]

HEAVY DUTY
24V PART #: 70.465

ACTIMO SEAT

STANDARD FEATURES

- Ultra-tough velour or vinyl upholstery
- High backrest for optimum back and side support
- Contoured cushion design for increased comfort
- Field replaceable cushions (backrest and seat)
- Document pouch



VELOUR
PART #: 07.942

OR



VINYL
PART #: 07.961

ADJUSTMENT FEATURES



BACKREST RECLINE & COLLAPSE

Features 80° backrest recline adjustable in 2° increments & the ability to fold forward for transportation and service.



HORIZONTAL SEAT SLIDE

8" of horizontal forward & backward seat movement. 16" of slide travel available as option below.



LUMBAR SUPPORT

Mechanically controlled lumbar support that adjusts the curvature & height of the backrest cushion.



SEAT CUSHION DEPTH & TILT

Adjusts forward 2.4" in 5 increments. Also tilts 3° - 11° in 4 increments to reduce high pressure.



SEAT OPTIONS



ADJUSTABLE HEADREST
(VELOUR) PART #: 07.693
(VINYL) PART #: 07.964



ADDITIONAL SEAT SLIDE (16")
PART #: 07.751



OPERATOR PRESENCE SWITCH
(12V) PART #: 70.245
(24V) PART #: 70.244



LAP SEAT BELT
PART #: 12.020

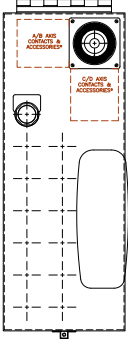


SEAT-MOUNTED ARMRESTS*
(LEFT-HAND) PART #: 07.711
(RIGHT-HAND) PART #: 07.712



LAP SEAT BELT WITH ELECTRICAL CONTACT
PART #: 12.015

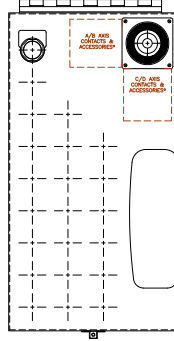
CONSOLES WIDTH



9"

Allows for 13 devices
& 1 joystick

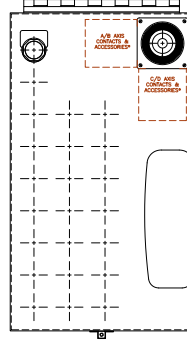
OR



12.5"

Allows for 24 devices & 1
joystick or 22 devices
& 2 (1-axis) joysticks

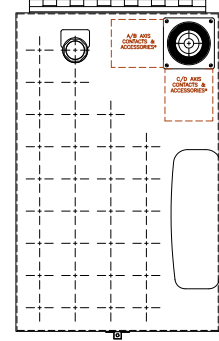
OR



13.5"

Allows for 27 devices & 1
joystick or 23 devices
& 2 joysticks

OR



15"

Allows for 33 devices & 1
joystick or 31 devices
& 2 joysticks

CONSOLES OPTIONS

*22 mm pilot devices available upon request

JOYSTICKS & CONTROLLERS

- Multi-Axis Joysticks
 - Single Axis Controllers
 - Rotary Switches
- See the full range at jrmerritt.com



30.5 MM* PILOT DEVICES

- Push Buttons
- Illuminated Push Buttons
- E-Stops
- Selector Switches
- Indicator Lights
- Alarms / Buzzers



LOUVERS

Plastic louvers for console ventilation



SLIDING CONSOLES

Forward & backward horizontal console slide adjustment



SLOPED COVERS

Forward sloped console covers (13.5" or 15" only)



STAINLESS COVERS

Stainless steel console covers for marine applications

FOOTRESTS



2-PIECE FIXED

Two diamond plate, fixed footrests that rotate with system



1-PIECE FIXED

Platform-style, diamond plate footrest that rotates with system

OR

FOOT PEDALS

J.R. Merritt heavy-duty foot pedals are designed with rugged, sealed construction, and are suitable for precise control in high duty cycle applications.

Available in:

- Proportional
- Step
- On/Off



FP1

Step or proportional control.
Learn more at jrmerritt.com



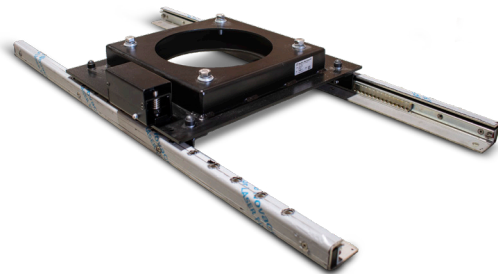
FP7

On/off control
Learn more at jrmerritt.com

OR

FLOOR SLIDES

*Custom length floor slides available upon request



24" (STANDARD)

Floor slide with 24" travel and 24VDC solenoid lock

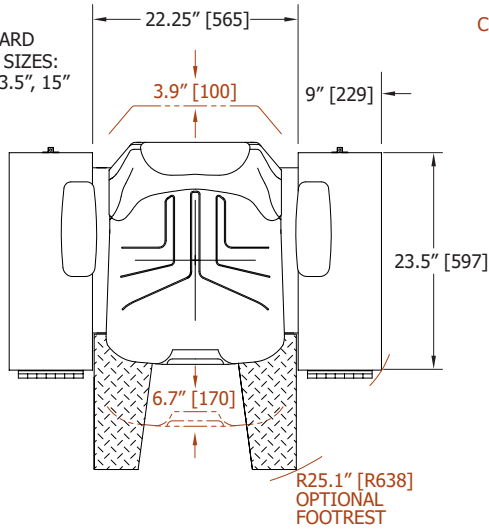
Floor slides can optimize installation space and provide improved usability for various operational tasks. J.R. Merritt Controls floor slides are stainless steel and feature quick release adjustment that allow for slide operation while seated.

Standard features:

- 24" of slide travel*
- 24VDC solenoid lock

DIMENSIONS | MERRITT ULTRA WITH FLAT CONSOLES

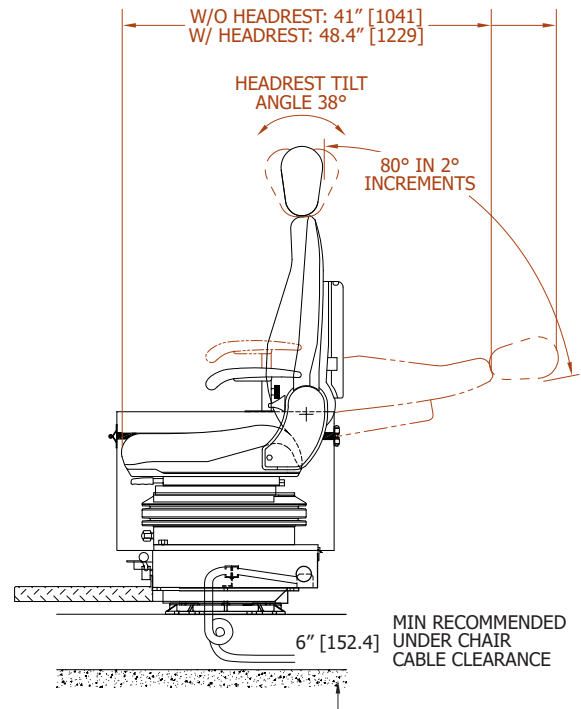
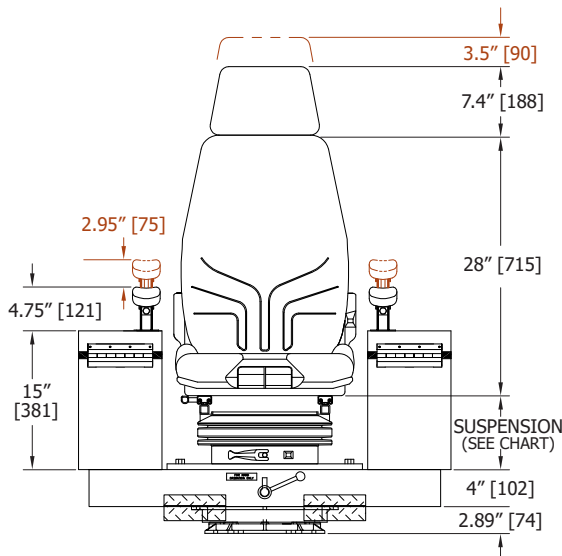
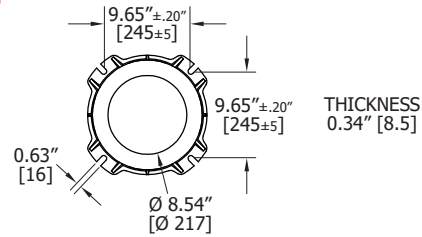
STANDARD
CONSOLE SIZES:
9", 12.5", 13.5", 15"



CONSOLE WIDTH:	MAX TURNING RADIUS*:
9"	23.4" [594]
12.5"	26.7" [678]
13.5"	27.3" [693]
15"	28.7" [729]

STANDARD
DIMENSION

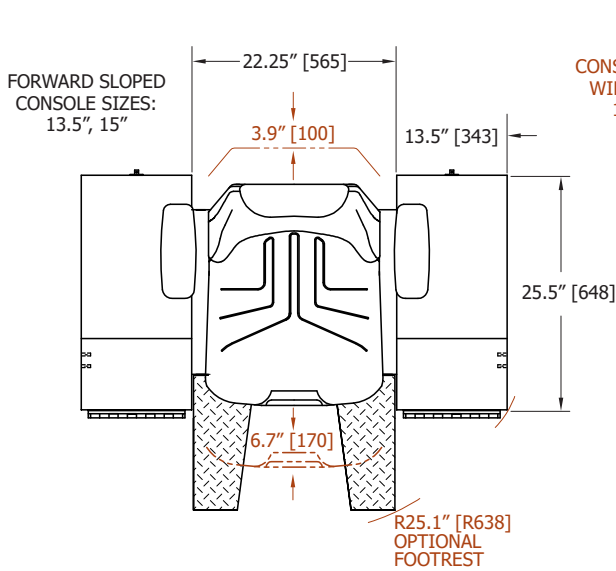
ADJUSTMENT
DIMENSION



*ONLY APPLIES TO MODELS WITH ROTATING BASE

Suspension	1st Position	2nd Position	3rd Position	4th Position	Suspension dimensions are subject to weight compensation adjustment. The above specifications are a generic representation of a custom built product and are for sales clarification only. Contact us if dimensions are critical or if a certified drawing is required.
3-Step Mechanical	6.1" [156]	7.3" [186]	8.5" [216]	--	
4-Step Mechanical	5.4" [137]	6.6" [167]	7.8" [197]	8.6" [217]	
Pneumatic (Air)	Auto to 7.2" [183] / Adjust +3.2" [80], -0.0" [0]				

DIMENSIONS | MERRITT ULTRA WITH FORWARD SLOPED CONSOLES

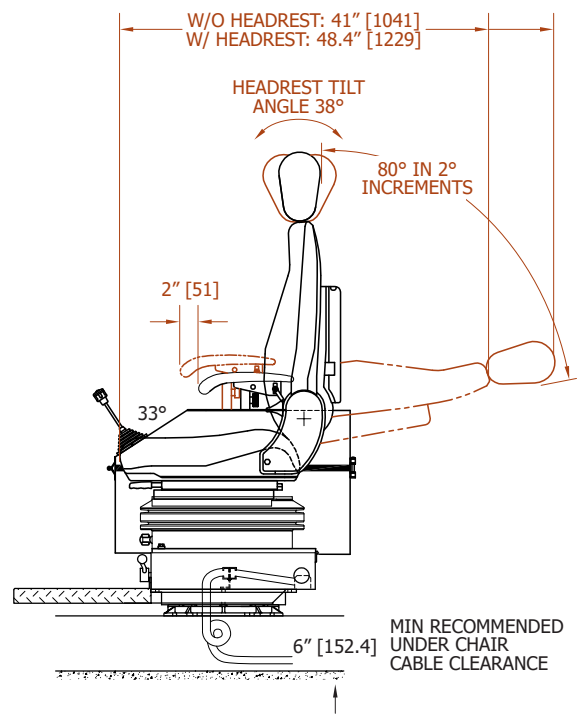
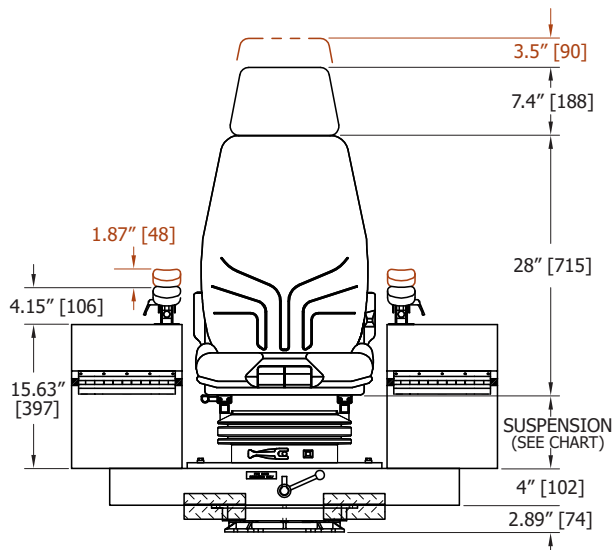
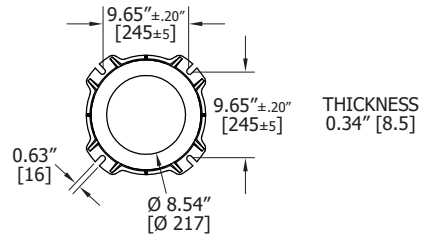


CONSOLE WIDTH:
13.5"
15"

MAX TURNING RADIUS*:
28.1" [715]
29.5" [748]

STANDARD DIMENSION

ADJUSTMENT DIMENSION

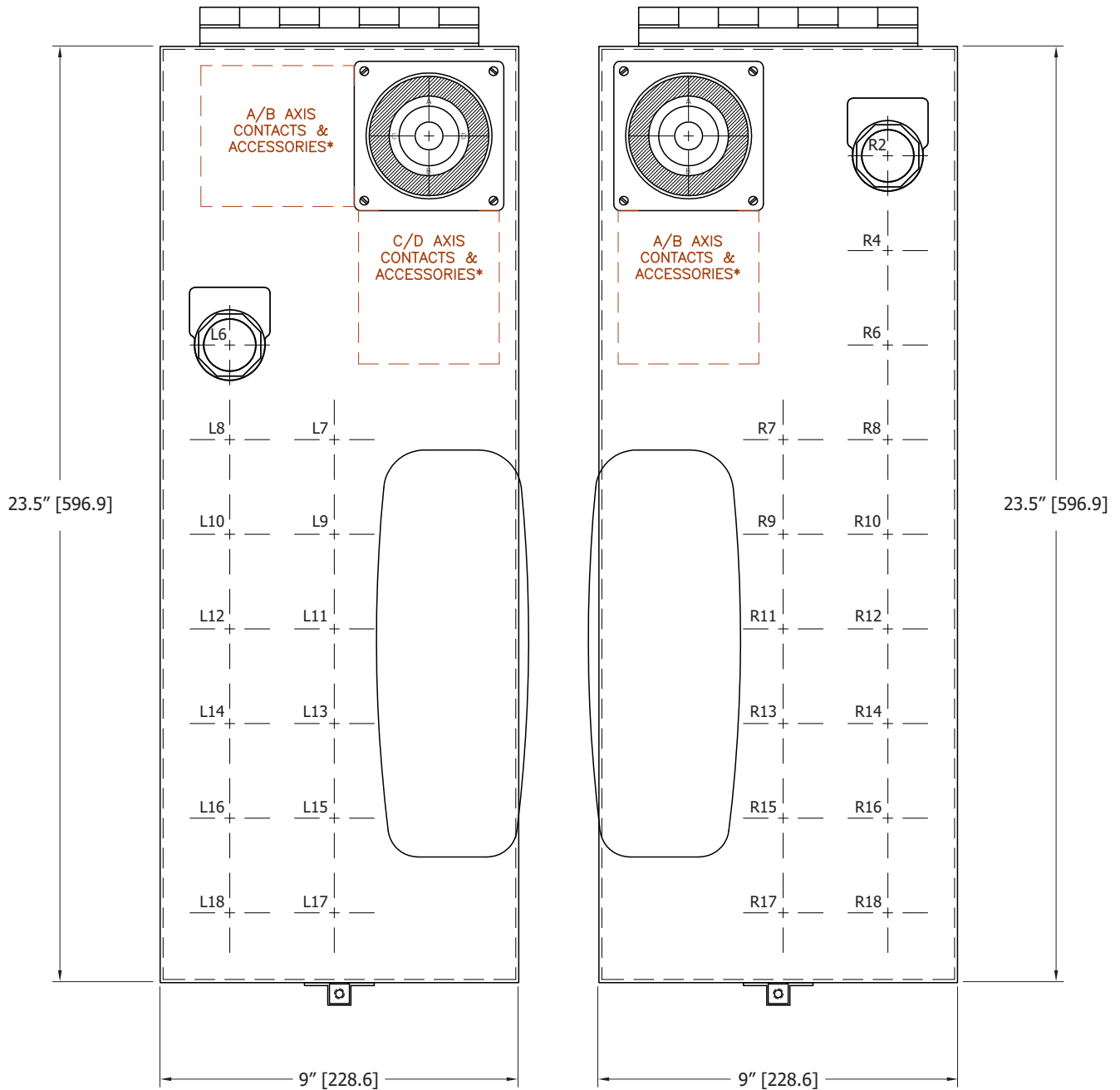


*ONLY APPLIES TO MODELS WITH ROTATING BASE

Suspension	1st Position	2nd Position	3rd Position	4th Position	
3-Step Mechanical	6.1" [156]	7.3" [186]	8.5" [216]	--	Suspension dimensions are subject to weight compensation adjustment. The above specifications are a generic representation of a custom built product and are for sales clarification only. Contact us if dimensions are critical or if a certified drawing is required.
4-Step Mechanical	5.4" [137]	6.6" [167]	7.8" [197]	8.6" [217]	
Pneumatic (Air)	Auto to 7.2" [183] / Adjust +3.2" [80], -0.0" [0]				

LEFT CONSOLE
SHOWN WITH 2-AXIS JOYSTICK

RIGHT CONSOLE
SHOWN WITH 1-AXIS CONTROLLER

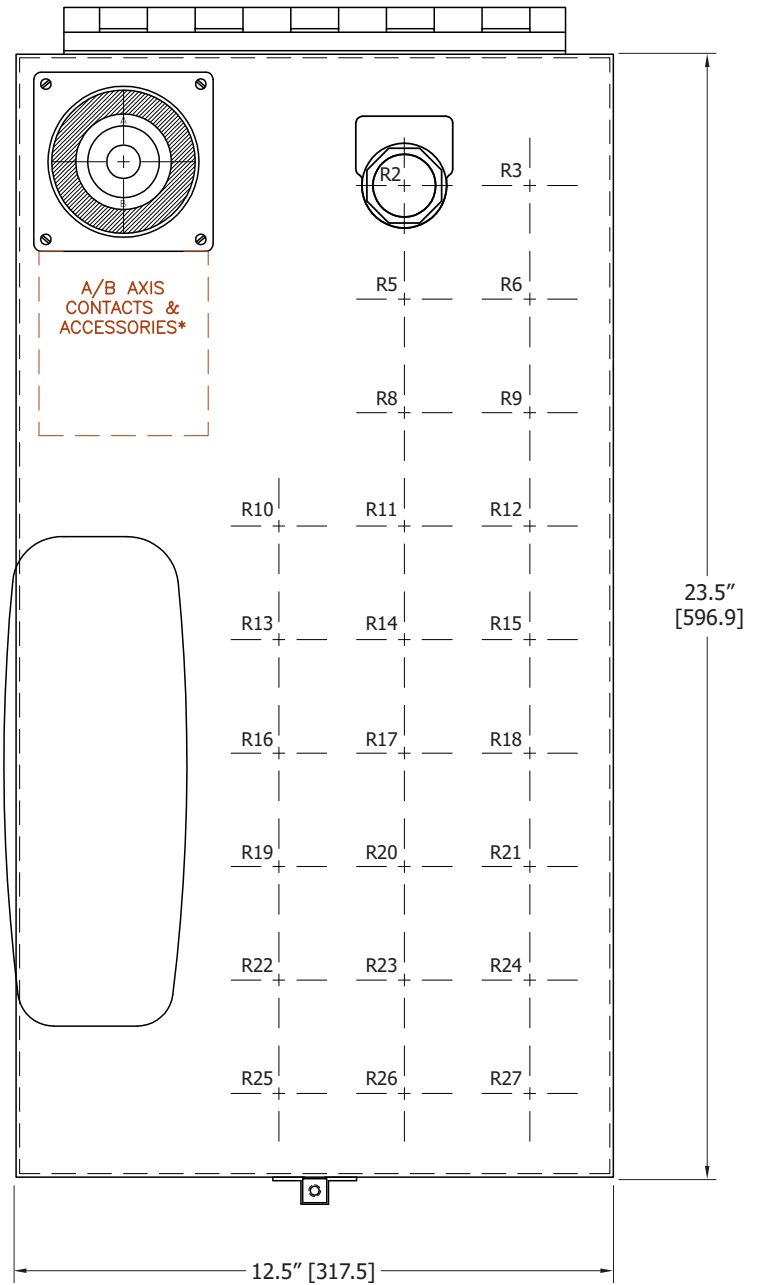
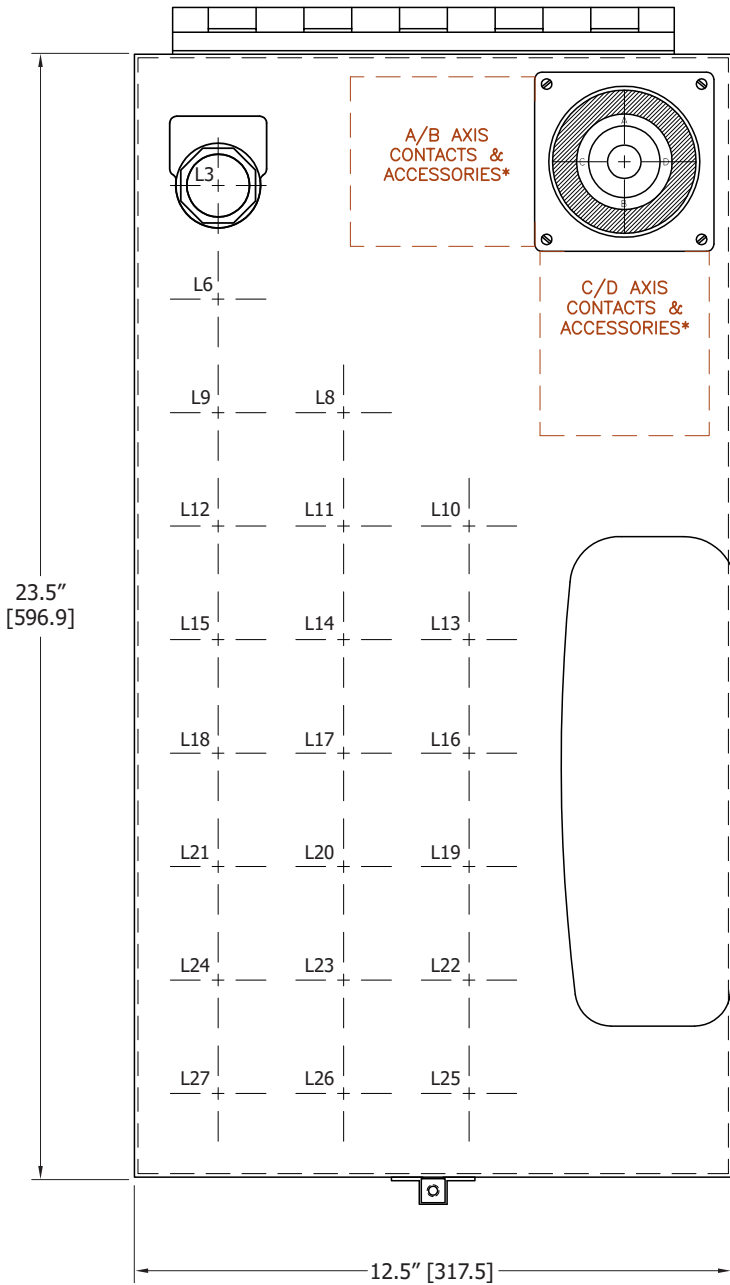


*Outline represents joystick drive with 5 contact blocks or 2 contact blocks with a potentiometer or encoder

12.5" CONSOLE

LEFT CONSOLE
SHOWN WITH 2-AXIS JOYSTICK

RIGHT CONSOLE
SHOWN WITH 1-AXIS CONTROLLER

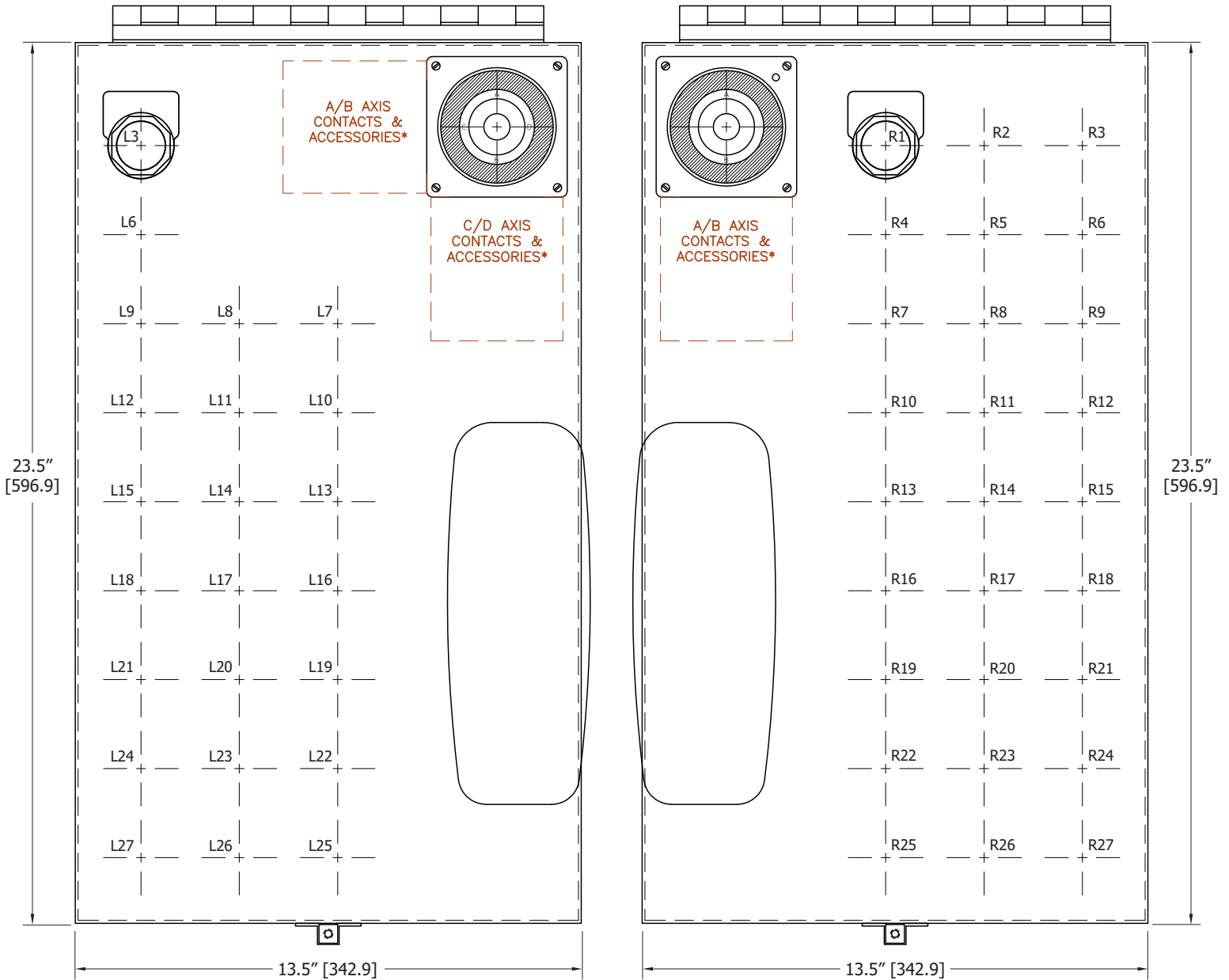


*Outline represents joystick drive with 5 contact blocks or 2 contact blocks with a potentiometer or encoder

13.5" CONSOLE

LEFT CONSOLE
SHOWN WITH 2-AXIS JOYSTICK

RIGHT CONSOLE
SHOWN WITH 1-AXIS CONTROLLER

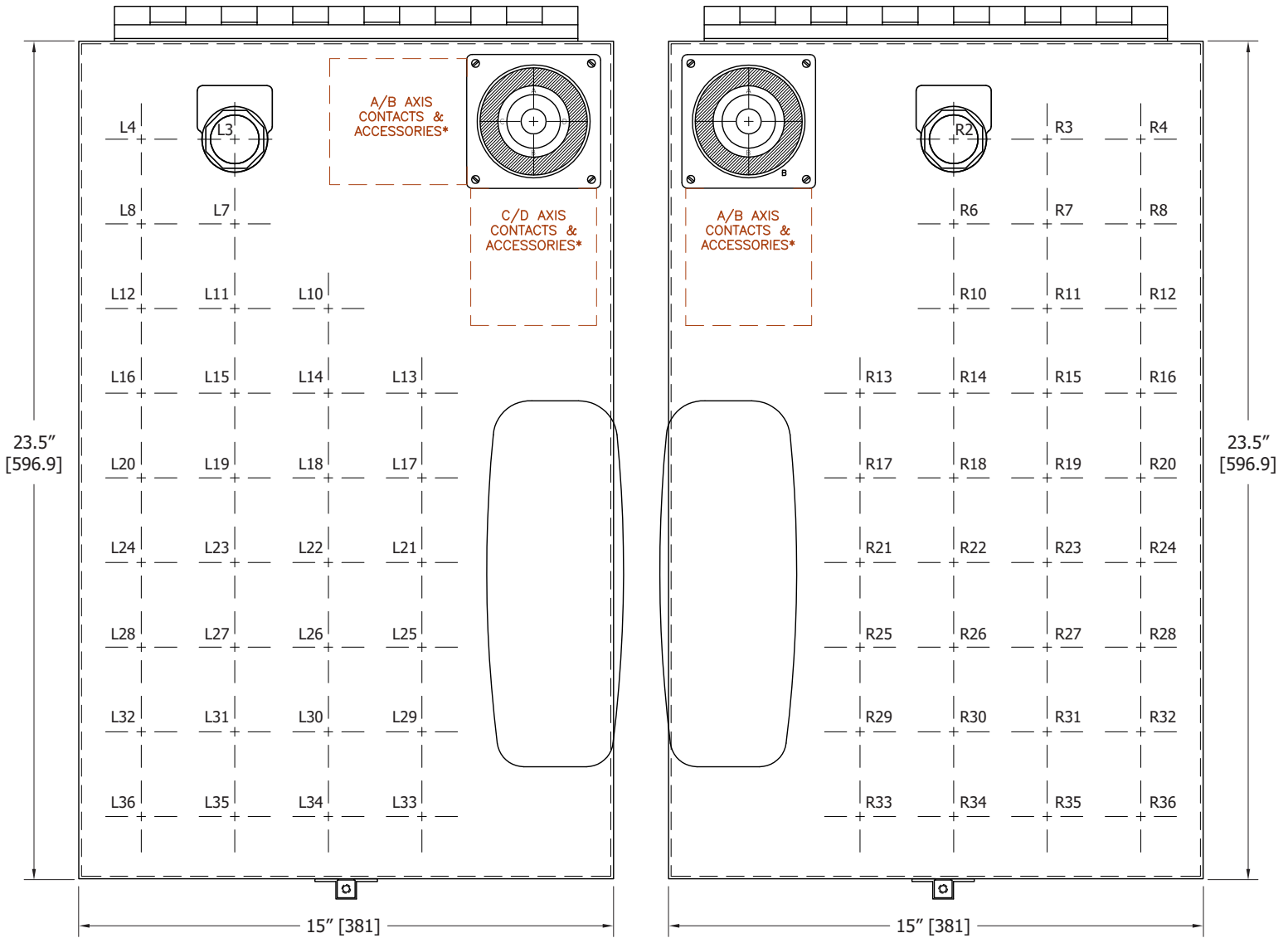


*Outline represents joystick drive with 5 contact blocks or 2 contact blocks with a potentiometer or encoder

15" CONSOLE

LEFT CONSOLE
SHOWN WITH 2-AXIS JOYSTICK

RIGHT CONSOLE
SHOWN WITH 1-AXIS CONTROLLER



*Outline represents joystick drive with 5 contact blocks or 2 contact blocks with a potentiometer or encoder