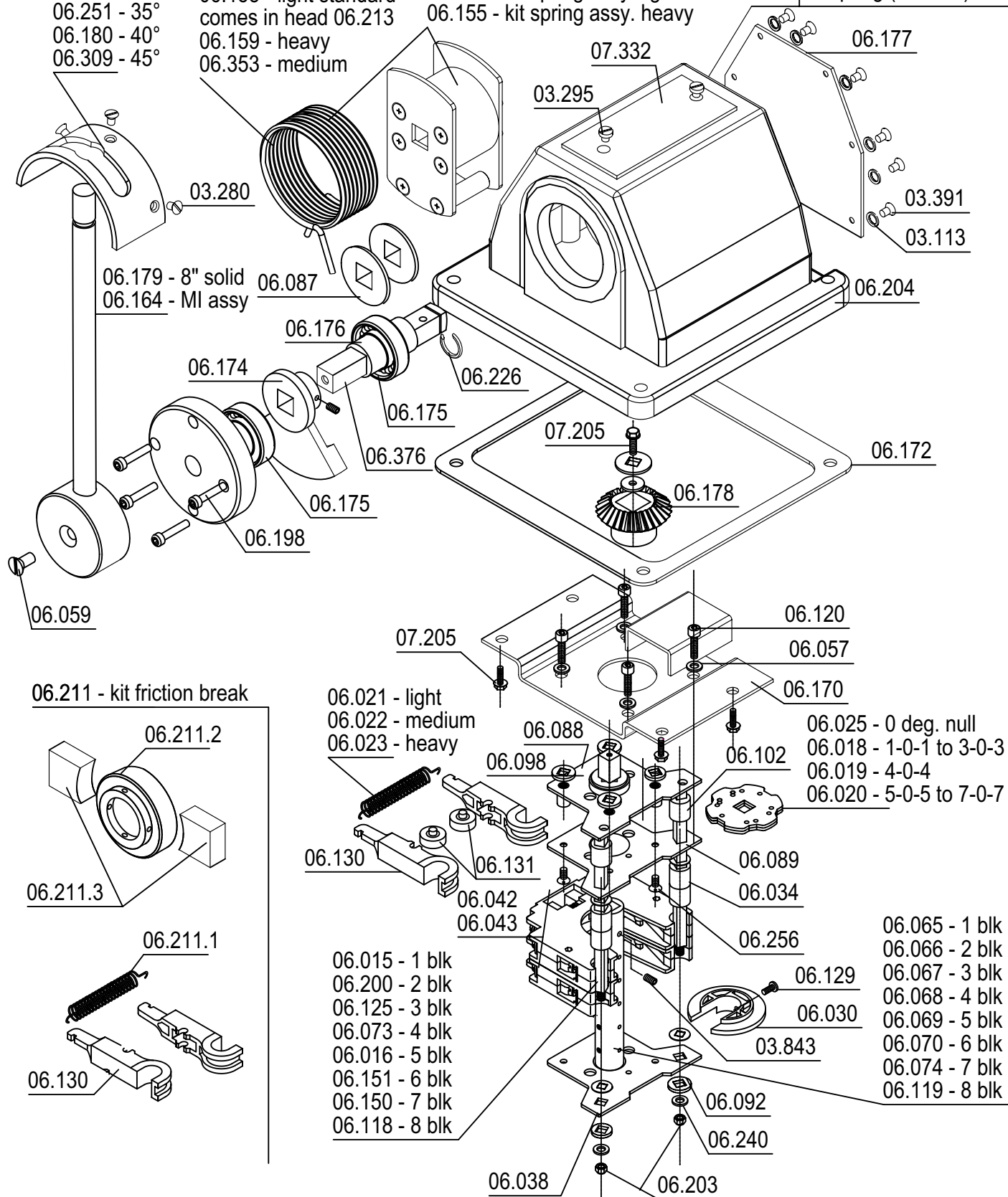


# NS2-KA SPARE PARTS

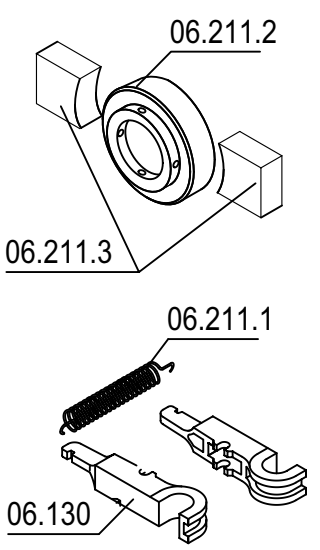
06.213 - head supplied assembled with light spring (stocked)

- 06.345 - 20°
- 06.250 - 30°
- 06.251 - 35°
- 06.180 - 40°
- 06.309 - 45°

- 06.158 - light standard
- 06.159 - heavy
- 06.353 - medium
- 06.156 - kit spring assy. light
- 06.155 - kit spring assy. heavy



06.211 - kit friction break



- 06.021 - light
- 06.022 - medium
- 06.023 - heavy

- 06.025 - 0 deg. null
- 06.018 - 1-0-1 to 3-0-3
- 06.019 - 4-0-4
- 06.020 - 5-0-5 to 7-0-7

- 06.015 - 1 blk
- 06.200 - 2 blk
- 06.125 - 3 blk
- 06.073 - 4 blk
- 06.016 - 5 blk
- 06.151 - 6 blk
- 06.150 - 7 blk
- 06.118 - 8 blk

- 06.065 - 1 blk
- 06.066 - 2 blk
- 06.067 - 3 blk
- 06.068 - 4 blk
- 06.069 - 5 blk
- 06.070 - 6 blk
- 06.074 - 7 blk
- 06.119 - 8 blk

**J.R. MERRITT**  
**CONTROLS, INC.**

Stratford, CT • 1-800-333-5762 • [www.jrmerritt.com](http://www.jrmerritt.com)

## NS2-KA Spare Parts List

item_no	item_desc_1	item_desc_2
03.113	Washer, Rib M4	S4 4mm 1000/bag
03.280	Screw, Drive Contact-EV	M4x8 mm DIN 965
03.295	Screw, "A" Drive Mounting	DIN 84 M4x5mm
03.391	Screw, DIN 84 M4 x 6	
03.843	Screw, Set, M5x5, S/S	M5X5 Din 916
06.015	Bolt, Assembly 1 block ++	NS221-160mm
06.016	Bolt, Assembly 5 blocks ++	NS221-5148MM
06.018	Detent Wheel, Stl 2-0-2to3-0-3	NS245-2.3
06.019	Detent Wheel, Steel 4-0-4	NS245-4
06.020	Detent Wheel, Stl 5-0-5to6-0-6	NS245-5.6
06.021	Spring, Detent Light	NS241-09
06.022	Spring, Detent Medium	NS241-11
06.023	Spring, Detent Heavy	NS241-12
06.025	Detent Wheel, Steel-0 deg ++	null NS245-0
06.030	Cam, Blank, NS2	NS261A
06.034	Spacer, Mounting	NS211C
06.038	Plate, Rear	16244Hw/bearing hole
06.042	Contact Block, Double-AC	NS271K
06.043	Contact Block, Double-DC	NSB271K
06.057	Washer, Rib M5	M5 Black
06.059	Screw, Slotted FHMS	M6x12MM DIN 963
06.065	Shaft, Cam, NS2, Brass 1 block	NS246A-1 ++
06.066	Shaft, Cam, NS2, Brass 2 block	NS246A-2 60mm ++
06.067	Shaft, Cam, NS2, Brass 3 block	NS246A-3 82mm ++
06.068	Shaft, Cam, NS2, Brass 4 block	NS246A-4 104mm ++
06.069	Shaft, Cam, NS2, Brass 5 blks	NS246A-5 126mm ++
06.070	Shaft, Cam, NS2, Brass 6 block	NS246A-6 148mm ++
06.073	Bolt, Assembly 4 blocks ++	NS221B-4
06.074	Shaft, Cam, NS2, Brass 7 block	NS246A-7 170mm ++
06.087	Washer, 12mm Sq hole	for spacer plate
06.088	Plate, Spacer w/pin standoff	NS244V1K
06.089	Plate, Middle	NS242
06.092	Spacer, NS2 1mm	NS238-1
06.098	Spacer, Brass	NS238-2.5
06.102	Spacer, Brass-detent Arm	NS212B
06.118	Bolt, Assembly 8 blocks	NS221-8 ++
06.119	Shaft, Cam, NS2, Brass 8 block	NS246A-8
06.120	Screw, M5x16 Hex DIN933-8.8	for NS2-KA
06.125	Bolt, Assembly 3 blocks ++	NS221-3
06.129	Screw, Cam-NS2	M4x8mm DIN 7985 (BAG/50)
06.130	Arm, Detent Plastic, no roller	NS246K
06.131	Roller, Detent Arm	NS246R-20
06.150	Bolt, Assembly 7 blocks ++	NS221-7
06.151	Bolt, Assembly 6 blocks ++	NS221-6
06.155	Kit, Spring Return Assy, Heavy	NS2-KA NS2-R-Heavy
06.156	Kit, Spring Return Assy, Light	NS2-KA NS2-R-Light
06.158	Spring, Light for NS2KA	N2 R5-2.5
06.159	Spring, Heavy for NS2KA	N2 R5-3.3
06.164	Kit, MI for NS2KA	NS2KA-Z 35856
06.170	Mounting Plate for NS2KA	

## NS2-KA Spare Parts List

item_no	item_desc_1	item_desc_2
06.172	Gasket for NS2KA	
06.174	Gear, Handle, NS2KA	
06.175	Bearing, NS2KA	
06.176	Bushing, NS2KA	
06.177	Plate, Back for NS2KA	NS2-KA014
06.178	Gear, Drive, NS2KA	NS2-KA007
06.179	Shaft, Handle, NS2KA	
06.180	Gate, NS2KA, 40 Degree	NS2KA018-40
06.198	Screw, Mtg, 4 x 20, DIN912	Zinc,NS2KA Outer Bearing Plate
06.200	Bolt, Assembly 2 blocks ++	NS221-2
06.203	Nut, Nylock, M6	DIN 985 M6 Zinc
06.204	Body, NS2KA	NS2KA040
06.211	KIT, Friction Brake, VNS2	Reibbremse, Kit,ref p.o.103631
06.211.1	Spring, Friction Brake-NS2	NN242
06.211.2	Drum, Friction Brake-NS2	
06.211.3	Pads, Friction Brake	NS246K
06.213	Head, Operating NS2KAR with	Drive Gears, Completely Asmbld
06.226	Circlip, E-Ring, Ø10	DIN 6799 External
06.240	Washer, Spacer NS2 drive 6.6mm	Din 126 M6 6.6 x 12 x 1.6
06.250	Gate, NS2KA, 30 Degree	NS2KA018-30 B50.101.7090 R02
06.251	Gate, NS2KA, 35 Degree	NS2KA018-35 B50.101.7090 R02
06.256	Screw, VNS2 M5x12 Din 963	325.726 Front plate to side PI
06.309	Gate, NS2KA, 45 Degree	B50.101.7090 R02
06.345	Gate, NS2KA, 20 Degree	B50.101.7090 R02
06.353	Spring, Medium, NS2KA	N2 R5-3.0
06.376	Shaft, Drive, NS2KA ++	
07.205	Bolt, Hex flg lock	Dinw151-FL M5 x 10 (BAG/50)
07.332	Nameplate, Gravoply, NS2KA	01.775 - 03.500