

PRO-4 SINGLE AXIS JOYSTICK CONTROLLER

PRO-4 – Single Axis Joystick
PRO-4H – Hall-effect Joystick
PRO-4N – VNSO Contact block
PRO-4B/B – Bang / Bang

Construction:

The ultra-rugged PRO-4 provides precise proportional or discrete control for electro-hydraulic valves and AC/DC variable speed drives. Your specific control requirements can be accommodated by a variety of standard and custom engineered configurations.

Also available with Hall-effect or VNSO contact blocks.

The versatile design of the PRO-4 accommodates a variety of handle options including mechanical interlock and lever actuated deadman as well as proportional and discrete outputs including 11A micro-switches, potentiometers, Hall-effect, PWM, CAN Bus, and bang / bang.

Application:

For use on Scissor Lifts, Work Platforms, Bucket Trucks, Cranes, Agricultural, Mining and Forestry equipment.

Features:

- Versatile design
- Heavy duty construction
- Long life, compression type return spring system
- 20 Million cycle mechanical operating life
- Rugged 10mm diameter handle shaft
- Tooled fixed cams

Options:

- Multiple mounting systems
- Friction held handle
- Large variety of optional handle configurations including; deadman and mechanical interlock options
- Stepped detents
- Large selection of proportional outputs including potentiometer, Hall-effect, PWM and CAN Bus
- Hall-effect, output meets or exceeds CE EMC Requirements



J.R. MERRITT 
CONTROLS, INC.

Pub. # 24.C1

Stratford, CT • 1-800-333-JRMC • www.jrmerritt.com

710

PRO-4 ORDERING INFORMATION

Drive Arrangement: Single Axis
Basic Assembly: 3.25" shaft length and boot supplied standard
Handle: 1.25" diameter round ball
Handle Action: Spring Return
Output: Proportional, discrete
Output Devices: Potentiometer, PWM, CAN, 11A micro-switch

PRO-4 Technical Data

Mechanical:

- **Mechanical Life:** 20 million cycles
- **Gear Ratio:** 3.5:1
- **Detented Positions:** see PRO-4N
- **Handle Travel:** $\pm 36^\circ$ for potentiometer
- **Potentiometer Rotation:** $\pm 126^\circ$

Environmental:

- **Operating Temperature:** -25 to +70° C
- **Storage Temperature:** -40 to +70° C
- **Protection above the panel:** IP55

Electrical:

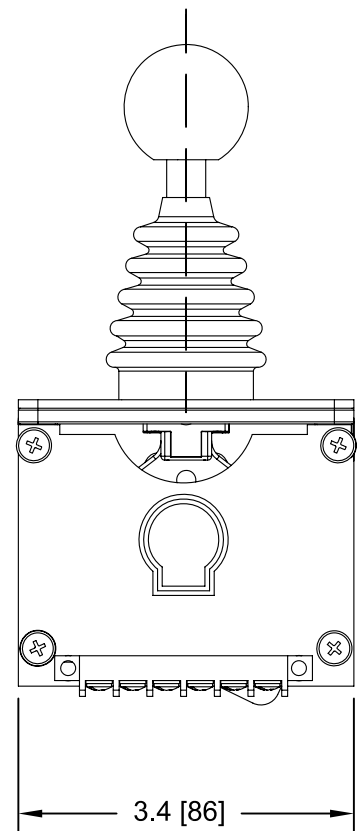
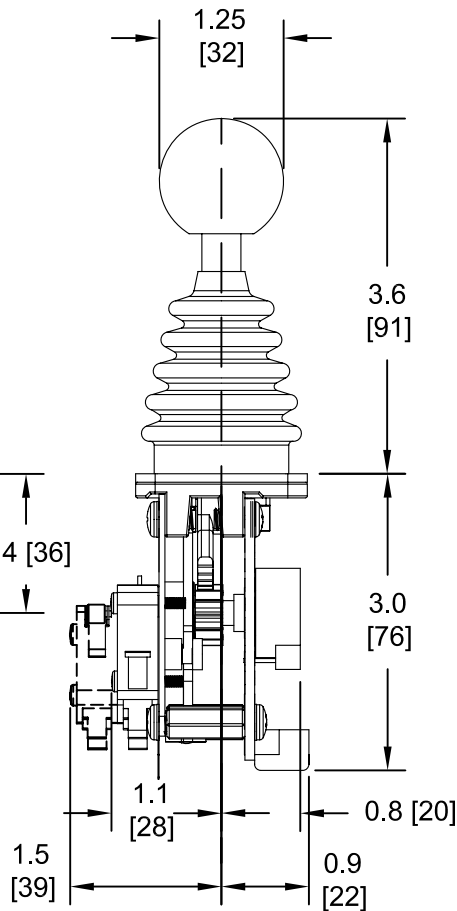
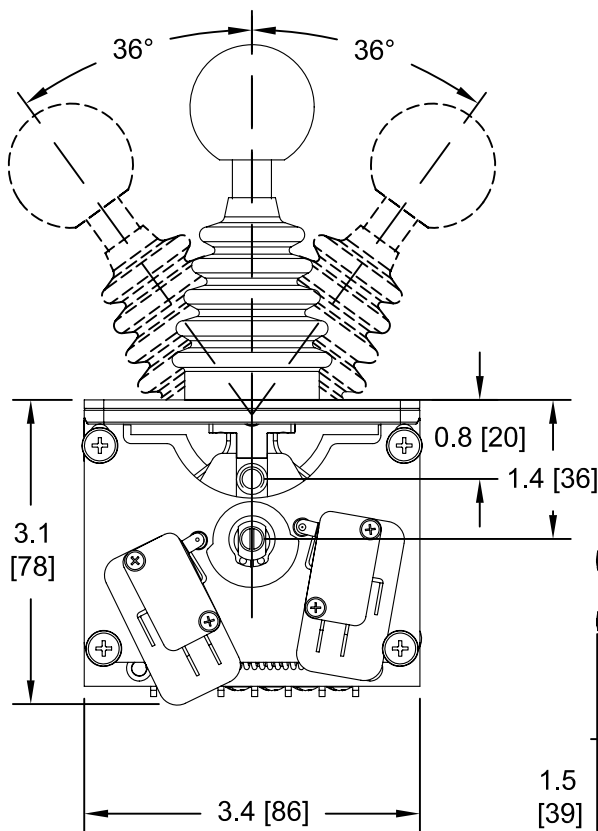
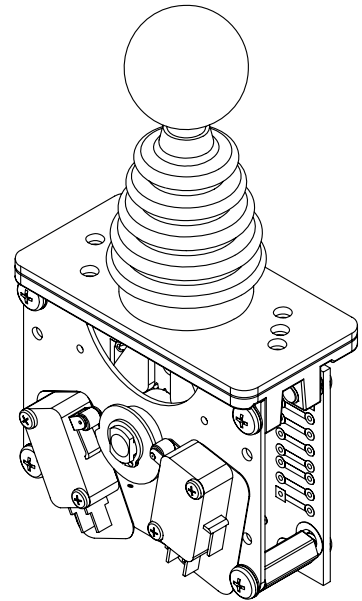
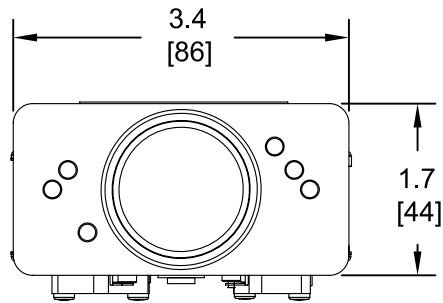
- **Contacts:** 11A 125, 250 VAC Form C V7 micro-switch (4 max.) with .187" quick connect tab
- **Potentiometers:** 0.5 watt 5K 3-wire or 10K 4-wire, 5 million Revolutions.
Connections: 6 position terminal block with #6 screw terminal

Options:

- **Handle:** See handle section for a selection of handle options
- **Handle Action:** Friction Brake
- **Mounting:** See mounting section for a selection of mounting options
- **Special Pots:** Please consult factory with special potentiometer requirements
- **Electronics:** PWM Amplifiers, Pot Amplifiers, Motor Control, CAN Bus.
Connections: Varies with product

Please consult factory for other available options not listed.

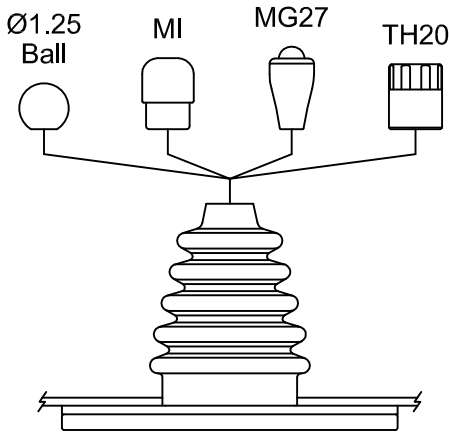
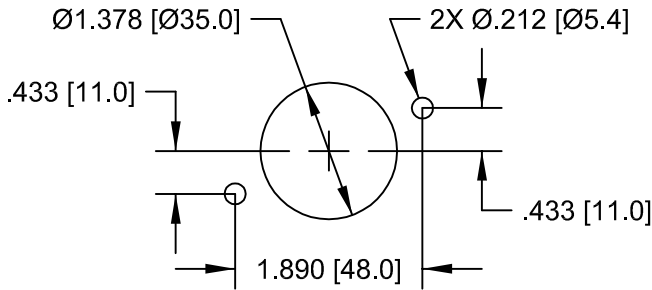
PRO-4 STANDARD OVERALL DIMENSIONS



PRO-4 MOUNTING DIMENSIONS

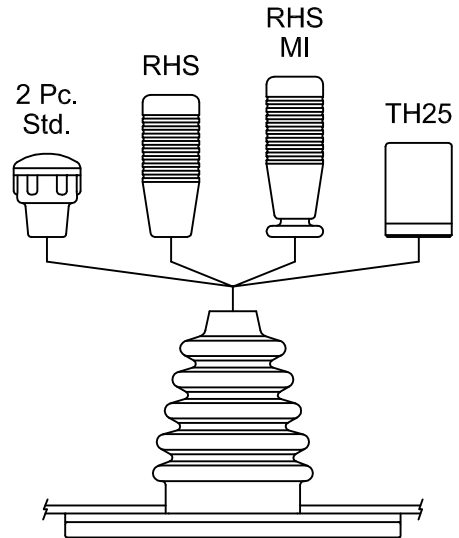
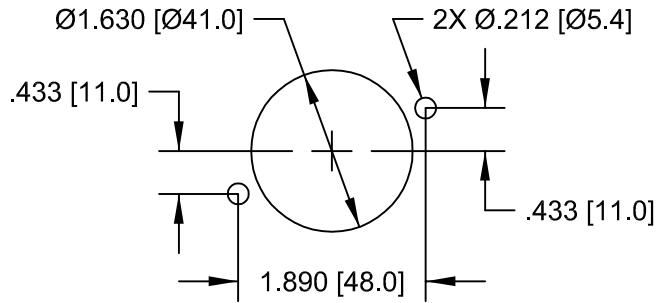
MOUNTING STYLE 1

Standard (3) holes w/ \varnothing 1.380 [\varnothing 35.0] center hole



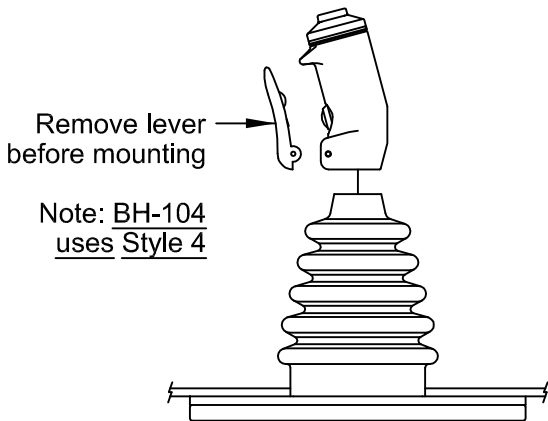
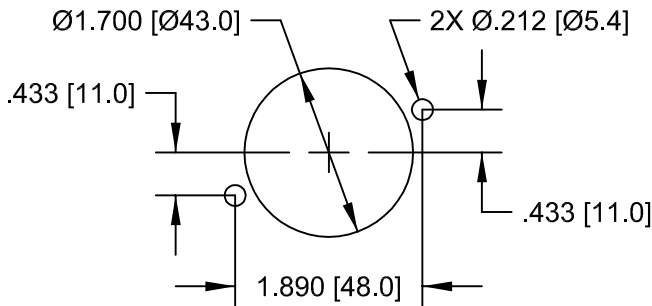
MOUNTING STYLE 2

Standard (3) holes w/ \varnothing 1.630 [\varnothing 41.0] center hole

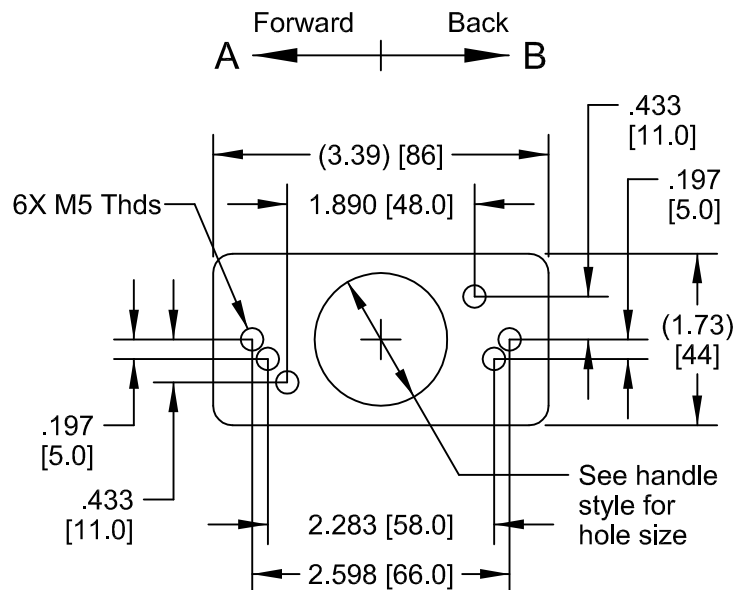


MOUNTING STYLE 3

Standard (3) holes w/ \varnothing 1.700 [\varnothing 43.0] center hole



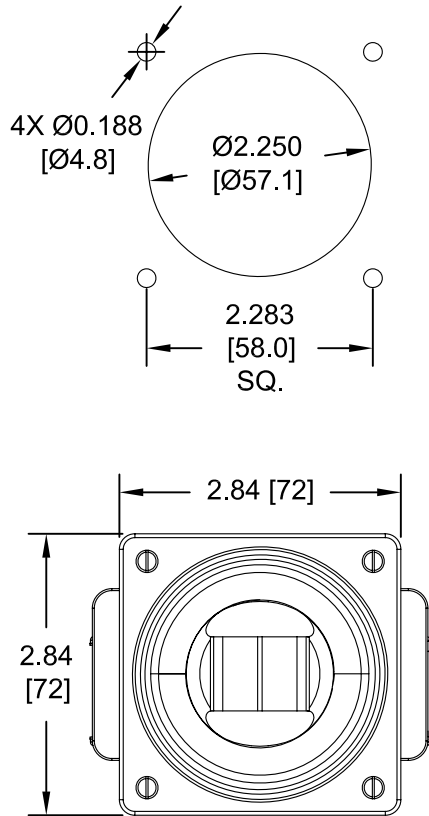
OPTIONAL MOUNTING HOLES



PRO-4 MOUNTING DIMENSIONS

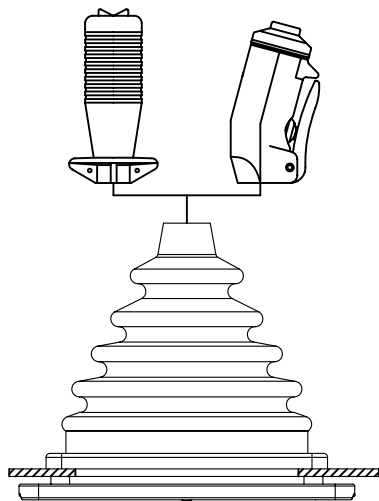
MOUNTING STYLE 4:

5 Holes With
2.25Ø[35] Center Hole



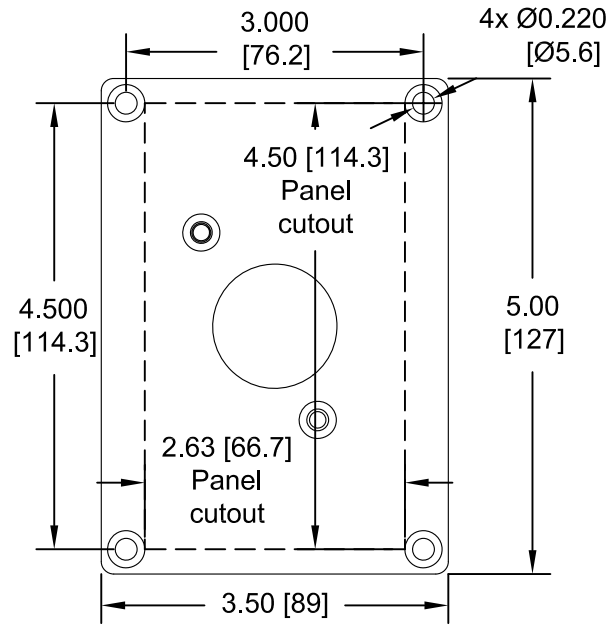
RHN

BH



MOUNTING STYLE 5:

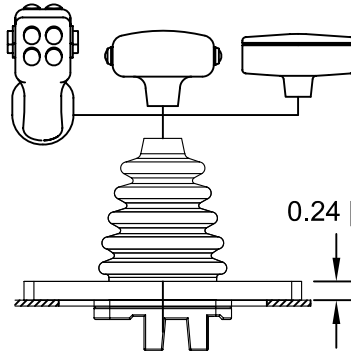
5 Holes With
4.50[114.3] X 2.625[66.7] Center Cut



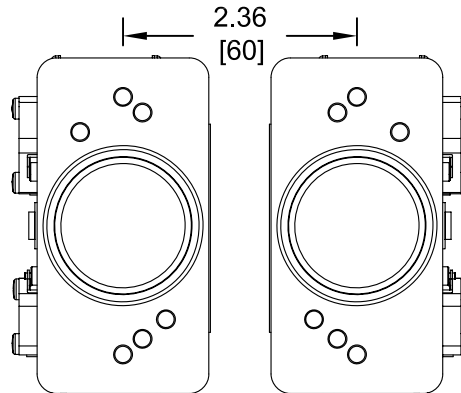
FG3

MG13

MG1



MINIMUM MOUNTING DIMENSIONS WITH POTENTIOMETERS AND 2 MICROSWITCHES

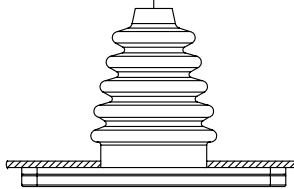
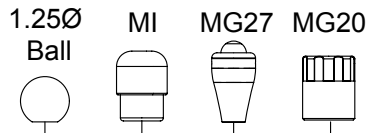
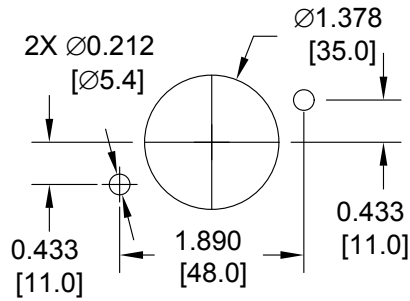


(Consult factory for other handle options)

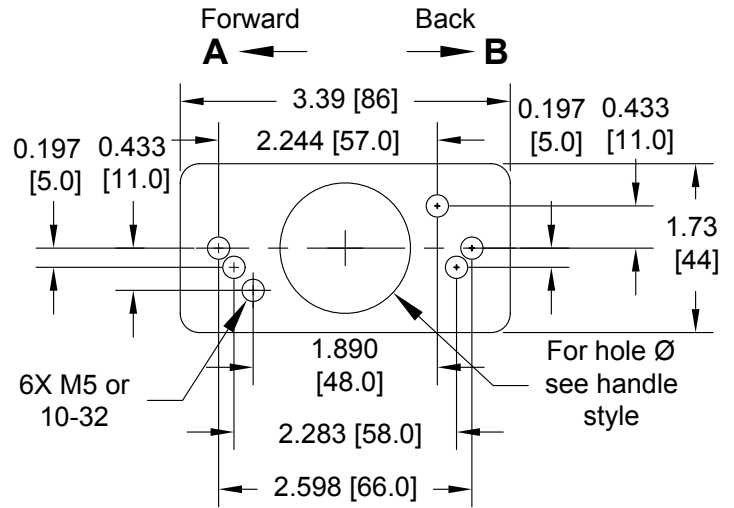
PRO-4 MOUNTING DIMENSIONS

MOUNTING STYLE 1:

Standard 3 holes with
1.38Ø[35] center hole

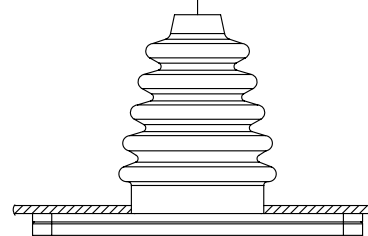
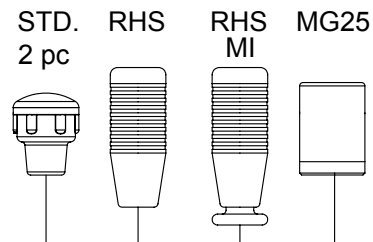
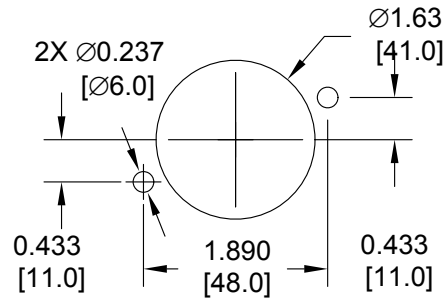


OPTIONAL MOUNTING HOLES



MOUNTING STYLE 2:

Standard 3 holes with
1.63Ø[41] center hole
1.57Ø[40] boot



MOUNTING STYLE 3:

Standard 3 holes with
1.70Ø[43] center hole
1.57Ø[40] boot

