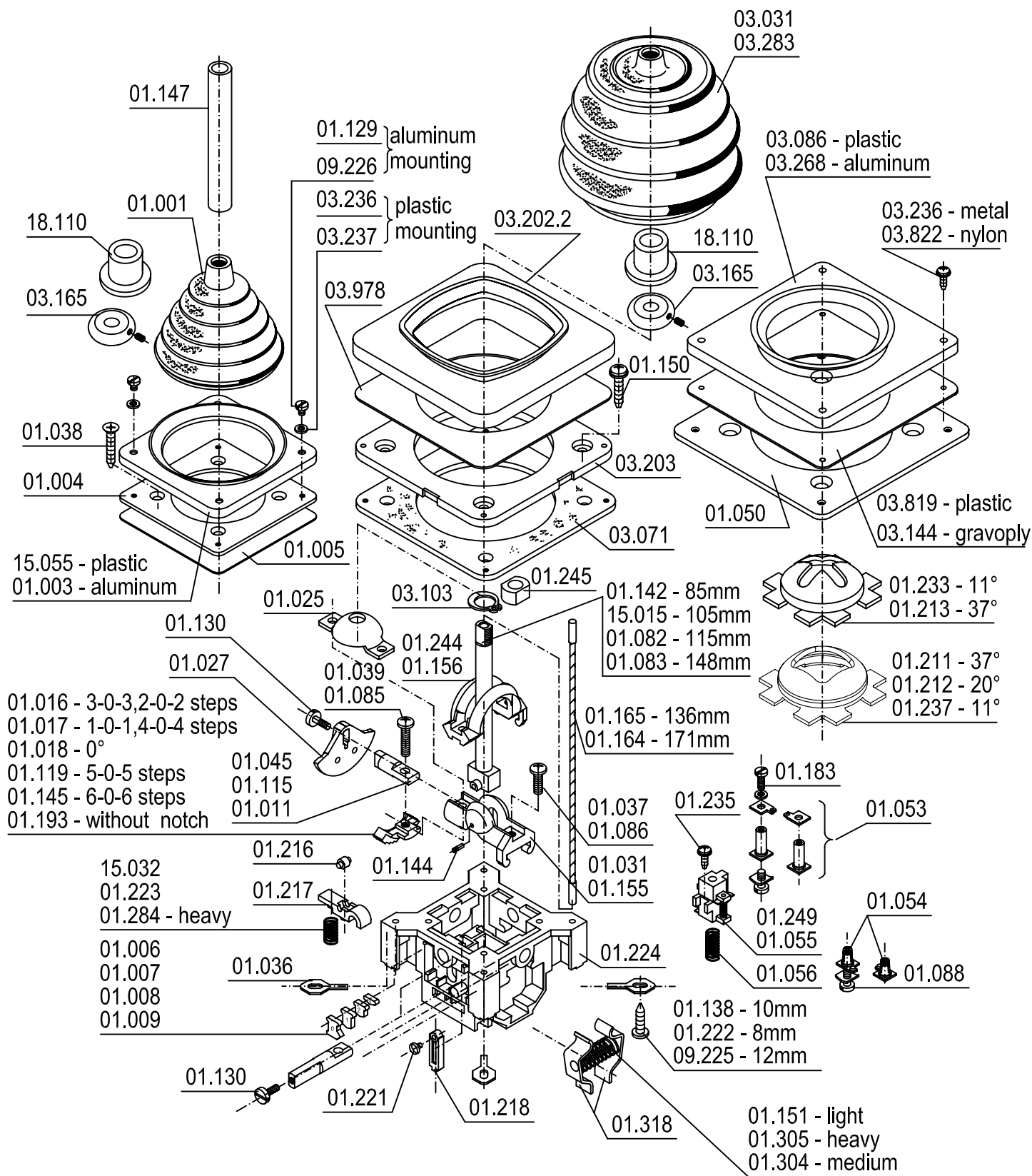


VCS2 SPARE PARTS

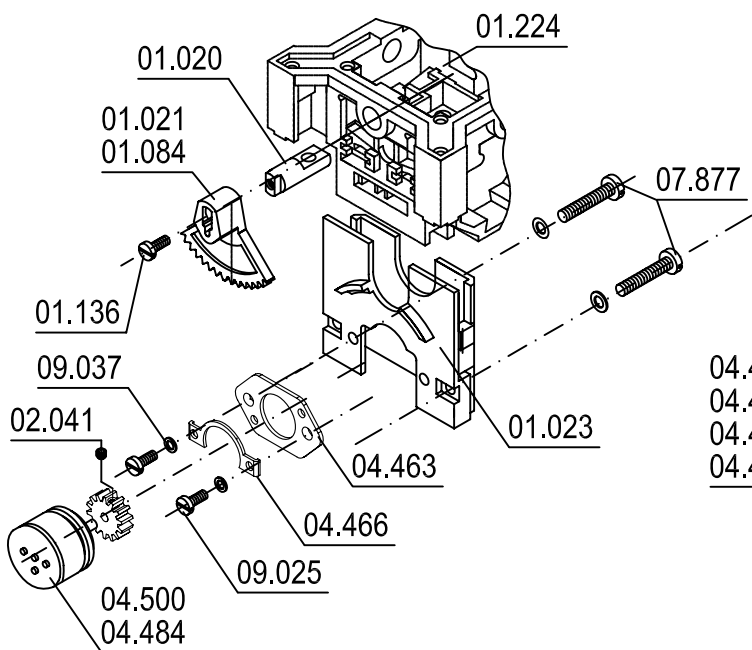


J.R. MERRITT
CONTROLS, INC.

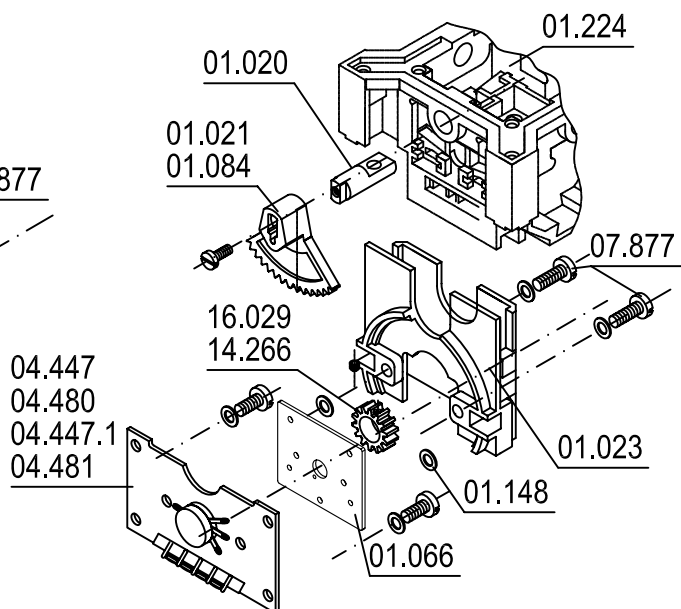
Stratford, CT • 1-800-333-5762 • www.jrmerritt.com

VCS2 SPARE PARTS

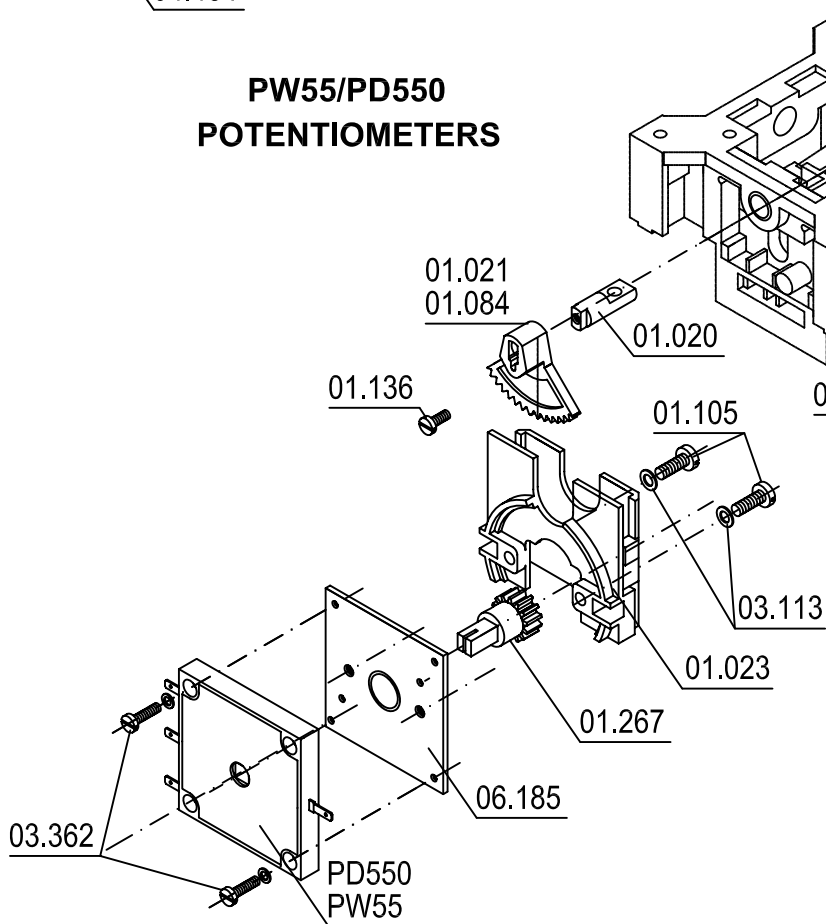
BI POTENTIOMETERS



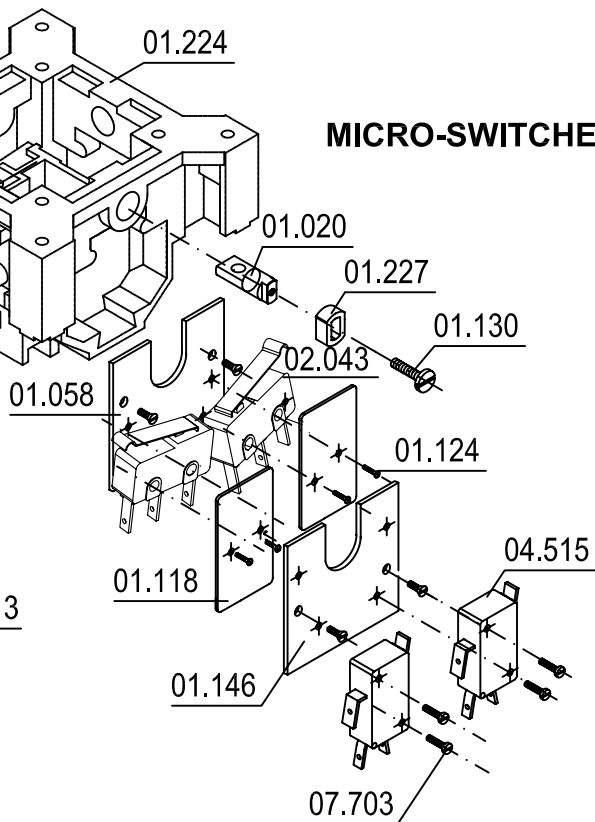
PEC POTENTIOMETERS



PW55/PD550 POTENTIOMETERS



MICRO-SWITCHES



VCS2 Spare parts list

Item #	Description 1	Description 2
01.001	Boot, Rubber, Small V040KE2	V040KE2 ++
01.003	Nameplate, Black Alum, 72x72 +	V0044
01.004	Plate, Mounting Aluminum 72x72	V0028R ++
01.005	Gasket, Rubber 72 x 72	V0028A
01.006	Stop, 0 degree detent	CSO32-0
01.007	Stop, 1-0-1 detent	CSO32-1
01.008	Stop, 2-0-2 detent	CSO32-2
01.009	Stop, 3-0-3 detent	CSO32-3
01.011	Shaft, Cam, CSO, Brass 3 block	CSO02-3 ++
01.016	Detent, 2-0-2, 3-0-3 Steps ++	CSO68
01.017	Detent, 1-0-1, 4-0-4 steps ++	CSO64
01.018	Detent, 0 Degree ++	CSO64P
01.020	Shaft, Pot ++	CSO01P
01.021	Gear, Pot Drive	CSO66
01.023	Pot Mounting Box, VCSO, 2	CSO71F ++
01.025	Retainer, Yoke, single axis	A10.101.1382 R04
01.027	Cam, Blank, CSO	CSO61
01.031	Yoke, Operating CSOE V ++	CSO63
01.036	Clamp, Body ++	CS005
01.037	Screw, Yoke Spring return dbl	M4x10 Torx 20
01.038	Screw, Mtg Alum, VCSO, Phil	flat PT zinc KB40x16 WN1413
01.039	Screw, M4x15	Torx 20
01.045	Shaft, Cam, CSO, Brass 1 block	CSO02-1 ++
01.050	Plate, Mtg Universal VCSO	A10.101.5443 Rev03
01.053	Contact, Aux, NC, Left	CS009K - per request only
01.054	Contact, Aux, NO	CSO08K
01.055	Shuttle, Pushbutton, VCSO 1NO	CSO41U ++
01.056	Spring, Aux Contact NS2 Flex	Shaft (2 required) CSO26B
01.058	Plate, Micro mounting standard	B10.101.1022 R06
01.066	Pot Plate, Steel, tapped holes	A10.101.1023 R05 CSO71FC
01.082	Shaft, Operating 115mm ++	CSO41A-115
01.083	Shaft, Operating 5-1/2" ++	CSO41A-148
01.084	Gear, Pot Drive,Friction brake	B15.101.6891 R--
01.085	Screw, Detent, single axis	M4x18 DIN 7985
01.086	Screw, Yoke Spring return sngl	DIN 7985 M4x14mm
01.088	Clamp, Screw Saddle-Aux ++	Cont
01.105	Screw, Pot plate bracket	Din 7985 M4x8
01.115	Shaft, Cam, CSO, Brass 2 block	C50.101.1777 R03
01.118	Insulator, Micro Standard	A10.2902 Rev06
01.119	Detent, 5-0-5 Steps	CSO61-5
01.124	Screw, Micro mtg 2/56 X 7/16	Phil PH
01.129	Screw, Nameplate Alum Mtg	M3x4mm DIN 85
01.130	Screw, Cam New Style	M3X6 Din 921
01.136	Screw, Gear	M3x6 DIN 85
01.138	Screw, Body-CSO ++	KB40x10 WN1412
01.142	Shaft, Operating 85mm ++	CSO41A-85
01.144	Pin, Yoke	M2x6 DIN 1472
01.145	Detent, 6-0-6 Steps	CSO61-6

VCS2 Spare parts list

Item #	Description 1	Description 2
01.146	Plate, Micro mtg-bang bang	B10.101.1022 R06
01.147	Insulator, Shaft, VCSO sleeve	OD10.3x43.80mm ++
01.148	Washer, Gray Fiber, W10370	.375 x .148 x .060
01.150	Screw, Mounting Plastic	KB40 x 16-WN1411
01.151	Spring Return, Light VCSO/CS1	CSO-36-d1.2-L36-n9
01.155	Yoke, Operating MI CSOV	CSO63Z A50.101.6941 R01
01.156	Yoke, Crossover MI CSOV	CSO62Z A50.101.6944 R01
01.164	Shaft, Flex CSO, 171mm	A80.101.7742 R00
01.165	Shaft, Flex CSO, 136mm	A80.101.7742 R00
01.183	Screw, Aux Contact Block (2)	M3.5 X 6 DIN 84
01.193	Detent, Without Notch ++	CSO64POR B15.101.7337 R00
01.211	Gate, Open, VCSO, 37 Degree ++	VCSO42AK37
01.212	Gate, Open, VCSO, 20 Degree +	VCSO42AK20
01.213	Gate, Cross, VCSO ++	VCSO42K
01.216	Roller, Detent, VCSO/CS1 ++	VCSO13R
01.217	Arm, Detent, VCSO/CS1 Detent++	CSO13R
01.218	Shuttle, Off Point, VCSO	CSO31N
01.221	Pin, Off Point, VCSO	CSO04A
01.222	Screw, Body, VCSO ++	KA40x8 WN1412
01.223	Spring, Detent CS1/VCSO ++	VCSO13FLA
01.224	Body, VCSO	VCSO81A vi
01.227	Cam, Special for CB1	A50.101.4768 R01
01.233	Gate, Cross, VCSO, 15 Deg +	VCSO42K15
01.235	Screw, Mtg, VCSO Shuttle	KA35x8, WN1411
01.237	Gate, Open, VCSO, 11 Degrees++	
01.244	Yoke, Crossover, VCSO	VCSO62AG
01.245	Block, Guide-VCSO-STEEL	VCSO62G
01.249	Shuttle, Pushbutton, 1NO/1NC	VCSO CSO41U
01.267	Gear, VCSO for PD550	CSO71ZPW
01.284	Spring, Detent Heavy VCSO ++	VCSO13FL
01.304	Spring Return, Std VCSO/CS1	CSO-36-d1.4-L36-n9
01.305	Spring Return, Heavy VCSO/CS1	CSO-36-d1.5-L36-n10
01.318	Arm, Spring return VCSO (new)	CSORH-1 A15.101.6975 R00
01.393	Boot, Rubber, Small VCS2 new	72X72mm V040KE2
02.041	Screw, Set, Pot Gear	Din916 M3x4
02.043	Microswitch, 125VAC, 5A ++	SS-5GL13T-A12 Omron
03.031	Boot, Rubber, Black, VO41N	VO41N replaces 03.031.1 ++
03.071	Gasket, Rubber 96 x 96	IDV006Z SK1107DH-REV01
03.086	Nameplate, Plastic, Screw-on	96 x 96mm VO48K
03.103	Clip, E-Shaft Grip Ring	A8 Size M 10055-033 ++
03.113	Washer, Rib M4	S4 4mm 1000/bag
03.144	Insert, Gravoply- PI Nameplate	A10.101.1446 Rev02
03.165	Bushing, Boot New Style	NSO ES5H
03.202.2	Nameplate, Plastic, Snap-on vi	VO48K3
03.203	Plate, Mounting Plastic 96x ++	96 VO48R-1
03.236	Screw, Nameplate, Plastic Mtg	M3x8 mm DIN 7985
03.237	Washer, Nameplate-Plastic Mtg	3mm DIN 125A
03.268	Nameplate, Black Alum, 96x96	V048AL63; B15.101.6851-1

VCS2 Spare parts list

Item #	Description 1	Description 2
03.283	Boot, Rubber, Friction Brake	VO41K
03.287	Pot, PD550 2x2.5K 4 wire	S233
03.362	Screw, RH Handle	M3x12 mm DIN 84
03.819	Insert, Plastic Screw on plate	IDV006F
03.822	Screw, Nylon M3x5mm ++	DIN 7985
03.978	Insert, Thin, Plastic Snap-On	NP VNSO A15.101.6803 R00
04.013	Pot, PD550 2x1.5K 4 wire	2 X 125 Degree PQ 1.5 1.5
04.014	Pot, PD550 2x3K 4 wire	2 X 125 Degree PQ 33
04.015	Pot, PD550 2 x 5K 4 wire	2x125 Degree PQ55
04.019	Pot, PD550 2x10K 4 wire	2 X 125 Degree PQ1010
04.019-01	Pot, PD550 2X5K 4 wire	Without shorting bar
04.021	Pot, PD550 2x1K 4 wire	2x125 Degree PQ11
04.022	Pot, PD550 2x2K 4 wire	2 X 125 DEGREE PQ22
04.061	Pot, PD550 2x2.5K 4 Wire	W/o Shorting Bar In Center
04.432	Pot, PD550 2x1k 4 wire +	w/o shorting bar
04.433	Pot, PD550 1k 3 Wire	PD550 S286 500-500 Ohm
04.434	Pot, PD550 4K 3 wire	
04.435	Pot, PD550 20K 3 wire	
04.447	Pot Board, PEC 10K 3 wire	TB installed and wired
04.447.1	Pot Board, PEC 5K 3 wire TB	installed and wired
04.463	Plate, Pot Mounting Adaptor	A10.101.4460 R02
04.466	Clamp, PL310 Mounting	A50.101.4870 Rev02
04.480	Pot Board, PEC 10KCT pot TB	installed and wired
04.481	Pot Board, PEC 5KCT Pot TB	installed and wired
04.484	Pot, BI Tech, 10K 4 wire servo	mtg 6143-6 A20.5201 R06 +
04.486	Pot, PD550 2x600 4 wire	2X125 Degree PQ55
04.493	Pot, PD550 2x10K 4-wire 3 taps	special SM7206-08
04.500	Pot, BI Tech, 5K 3 wire, servo	mtg with wires A20.101.5332
04.515	Microswitch, Bent P20 Lever	(Atlas)
04.620	Microswitch, 125 VAC 5A, M2	Gold modified A80.101.7663 R00
04.621	Microswitch, 125 VAC 5A, M2	modified A80.101.7663 R00
06.185	Plate, Shaft Bushing-Brass	54 x 54mm PD550
07.703	Screw, 4-40 x 9/16, PPHMS	Steel Zinc
07.877	Screw, Pot Board Mtg, Sems	6/32 x 1/2, PPI 6C50XPI0Z
09.025	Screw, 6/32 X 1/4 P.P.H.M.S	
09.037	Washer, 6 Internal Tooth Lock	
09.225	Screw, Body, VCSO	KA40x12 WN1412
14.266	Gear, Slave, sleeve assy, PRO4	VCSO A80.101.6433 R03
15.015	Shaft, Operating, CS1 105mm ++	CSO41V-101
15.032	Spring, Detent CS1	VCSO13FS
15.055	Nameplate, Plastic, CS1	B15.101.6626 R05
16.029	Gear, Pot, PRO-6	A50.101.6180 R03
18.110	Bushing, Boot, Brass, 9mm CS3	A15.101.6356 R02