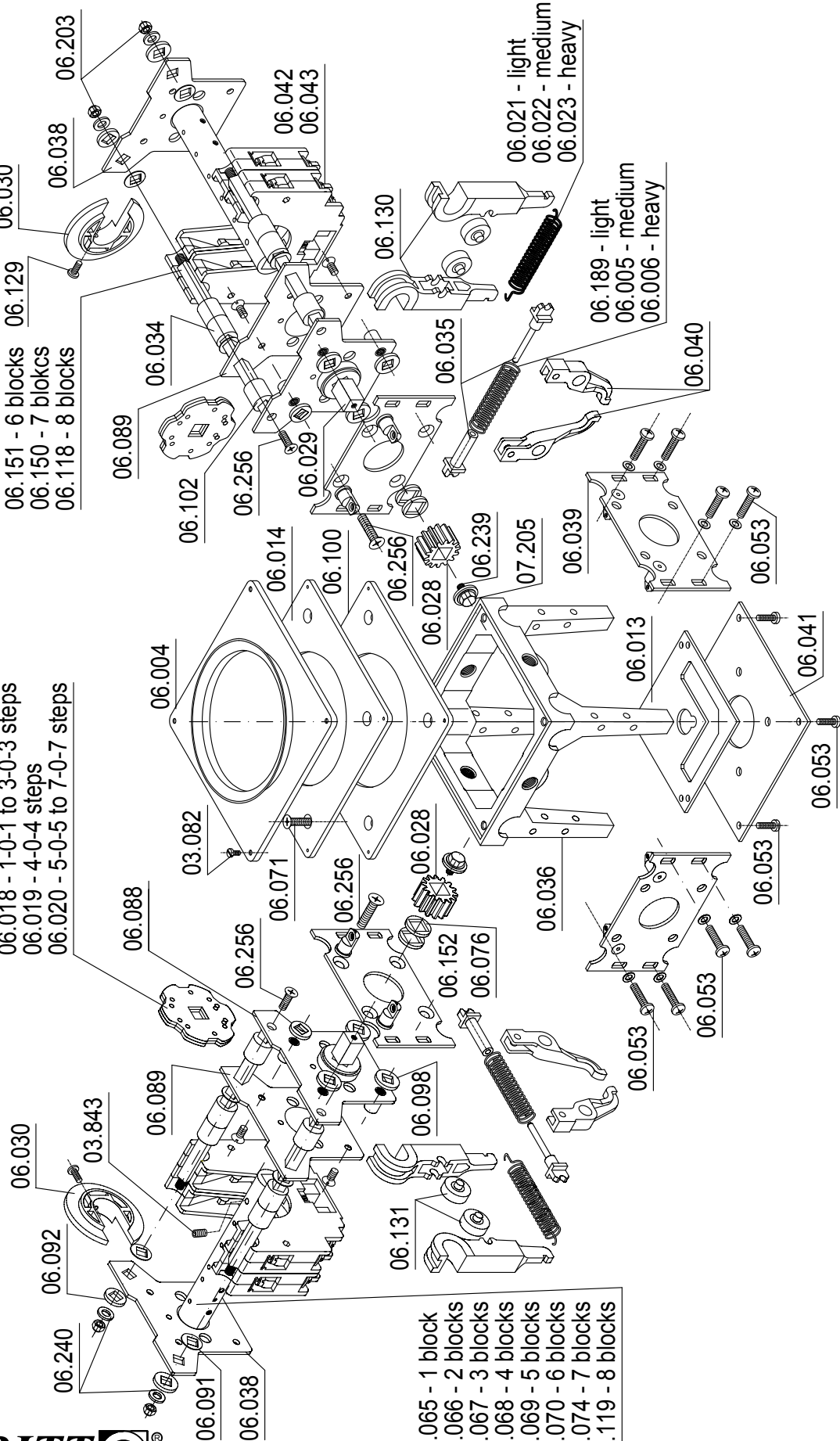


# SPARE PARTS VNS2-E, VNS2-V

- 06.015 - 1 block
- 06.200 - 2 blocks
- 06.125 - 3 blocks
- 06.073 - 4 blocks
- 06.016 - 5 blocks
- 06.151 - 6 blocks
- 06.150 - 7 blocks
- 06.118 - 8 blocks

- 06.025 - 0°
- 06.018 - 1-0-1 to 3-0-3 steps
- 06.019 - 4-0-4 steps
- 06.020 - 5-0-5 to 7-0-7 steps

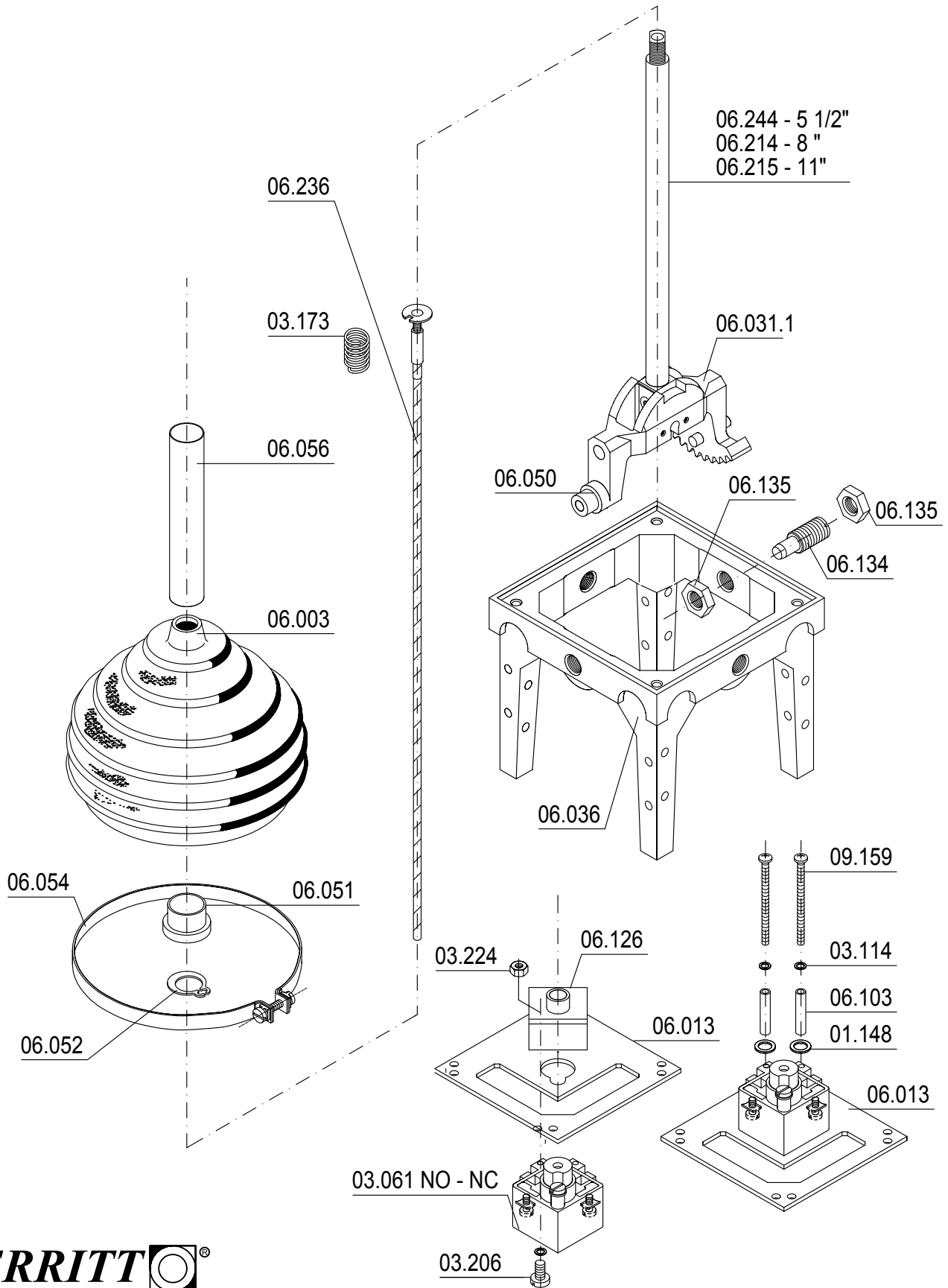
- 06.065 - 1 block
- 06.066 - 2 blocks
- 06.067 - 3 blocks
- 06.068 - 4 blocks
- 06.069 - 5 blocks
- 06.070 - 6 blocks
- 06.074 - 7 blocks
- 06.119 - 8 blocks



**J.R. MERRITT**  
**CONTROLS, INC.**

Stratford, CT • 1-800-333-5762 • [www.jrmerritt.com](http://www.jrmerritt.com)

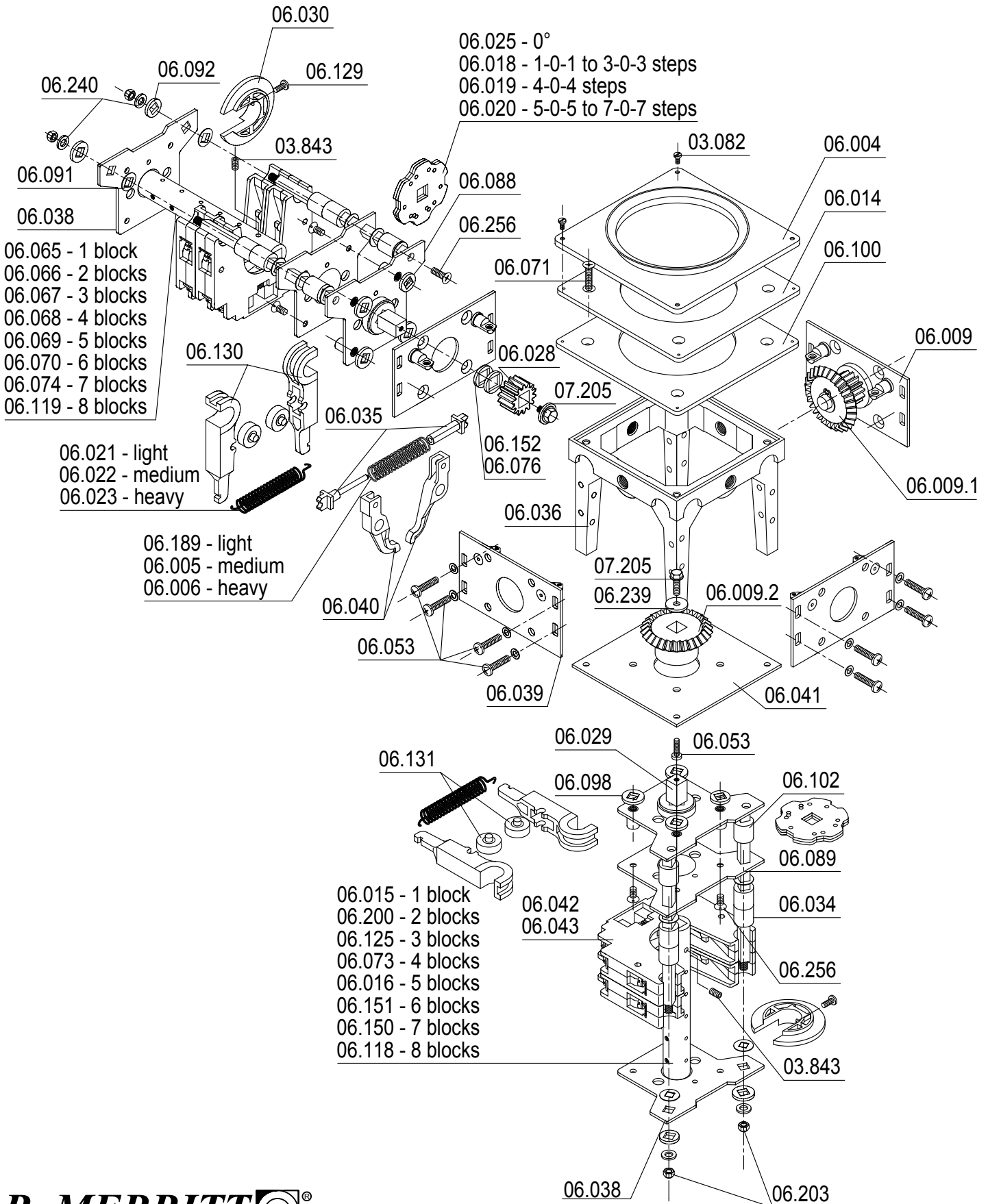
# VNS2-A, VNS2-E, VNS2-G SPARE PARTS SINGLE AXIS



**J.R. MERRITT**   
**CONTROLS, INC.**

Stratford, CT • 1-800-333-5762 • [www.jrmerritt.com](http://www.jrmerritt.com)

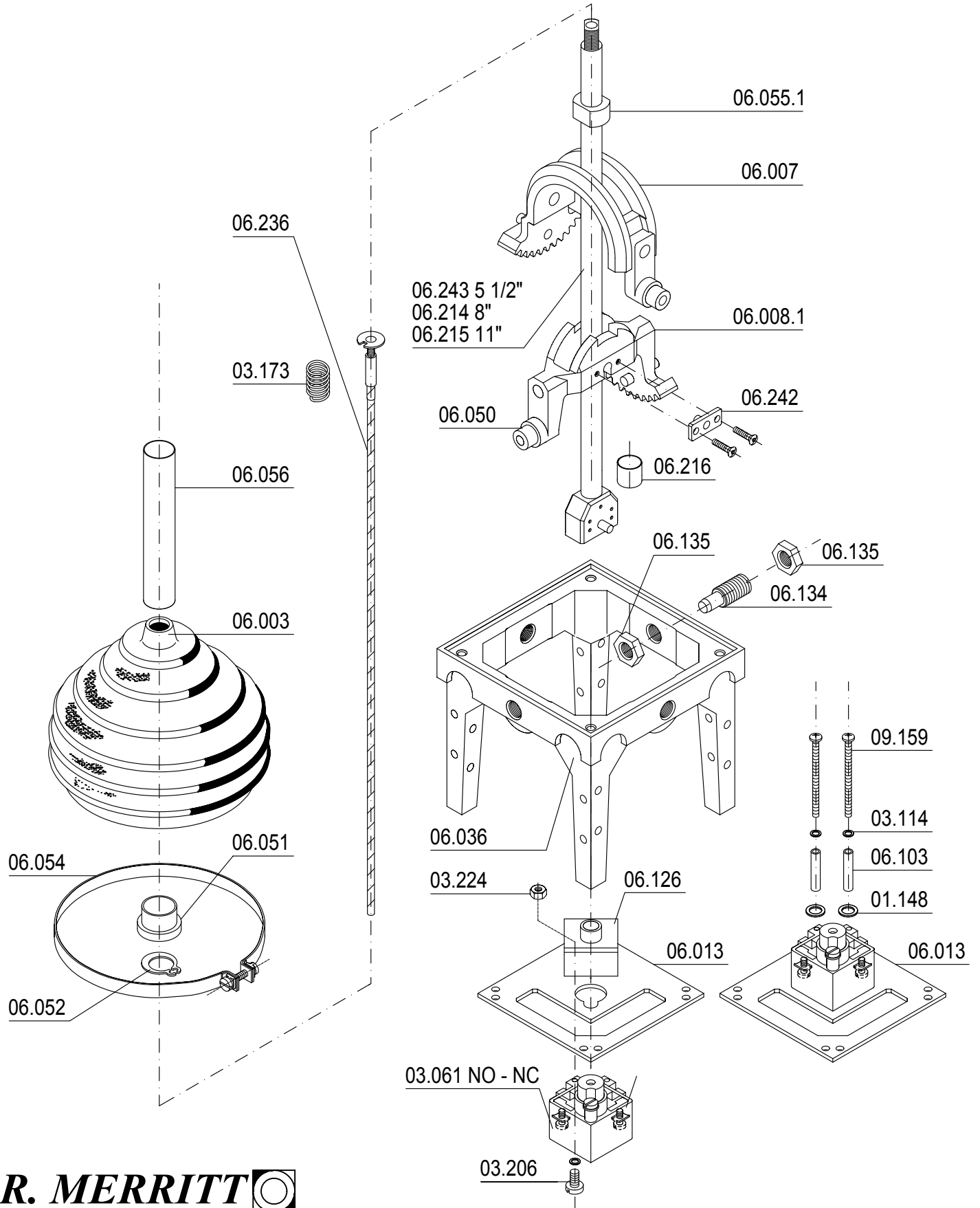
# SPARE PARTS VNS2-EA, VNS2-A



**J.R. MERRITT**   
**CONTROLS, INC.**

Stratford, CT • 1-800-333-5762 • [www.jrmerritt.com](http://www.jrmerritt.com)

# VNS2-EA, VNS2-V, SPARE PARTS DOUBLE AXIS



**J.R. MERRITT**  
**CONTROLS, INC.**

Stratford, CT • 1-800-333-5762 • [www.jrmerritt.com](http://www.jrmerritt.com)

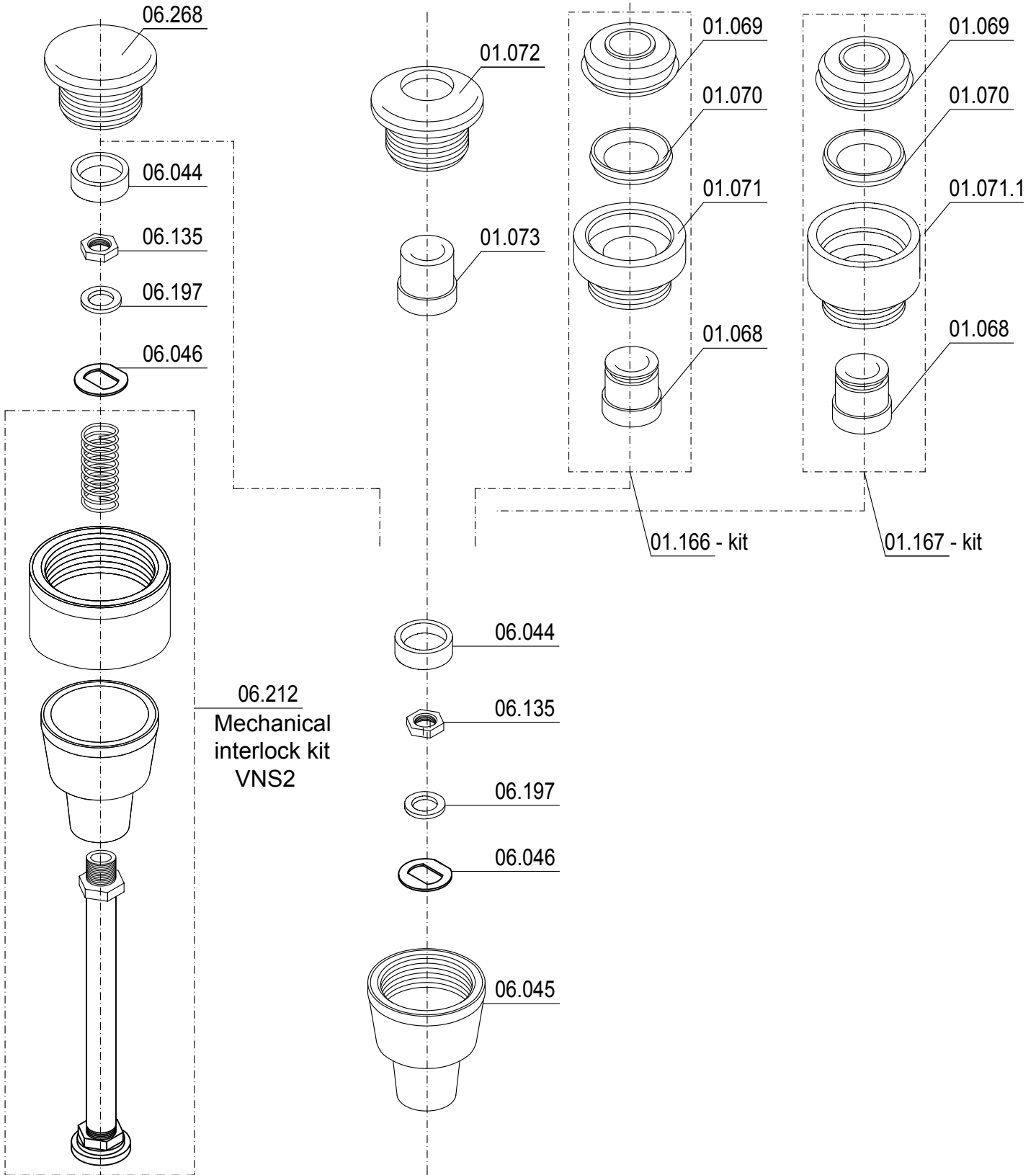
# VNS2 HANDLE SPARE PARTS

## STANDARD WITHOUT PUSH BUTTON

## "H" EXTENDED PUSH BUTTON

## "HD" FLUSH SEALED PUSH BUTTON

## "HDV" FLUSH SEALED PUSH BUTTON



**J.R. MERRITT**   
**CONTROLS, INC.**

Stratford, CT • 1-800-333-5762 • [www.jrmerritt.com](http://www.jrmerritt.com)

# VNS2 Spare Parts List

item_no	item_desc_1	item_desc_2
01.068	Actuator, HD	NSOES15M
01.069	Seal, Rubber HD Flush/Sealed	NSOES42M
01.070	Ring, HD Brass sealing	NSOES42S
01.071	Cap, HD (Flush)	NSOES42-10
01.071.1	Cap, HDV (recessed)	NSOES42-20
01.072	Cap, H Pushbutton	NSOES42H A15.101.6845 R00
01.073	Actuator, H	NSOES15
01.148	Washer, Gray Fiber, W10370	.375 x .148 x .060
01.166	Kit, HDU Pushbutton-assembled	
01.167	Kit, HDV Pushbutton-assembled	NSOES42-20
03.061	Contact Aux, PB-E/V 1NO-1NC	NSOES81-U
03.082	Screw, Phillips PH Machine	M4x4 DIN 7985
03.114	Washer, Rib M3.5	S3.5 3.5mm
03.173	Spring, Pushbutton/NSOES15F	
03.206	Screw, NSO Base Plate, TB. MTG	DIN 7985 M3.5x10
03.224	Nut, Hex, M3.5	3.5mm DIN 934ZP
03.843	Screw, Set, M5x5, S/S	M5X5 Din 916
06.003	Boot, Rubber, NS2	V184K ++
06.004	Nameplate, Black Alum, NS2	V148
06.005	Spring, Return, Medium	NS243L
06.006	Spring, Return, Heavy	NS243S
06.007	Yoke, Crossover-CrNi	V185FGR
06.008.1	Yoke, Oper Dual VNS2	NS286, New Style
06.009	Plate, Side w/ pin-heavy duty	NS244-27.10
06.009.1	Gear, Bevel Body	NS252A
06.009.2	Gear, Bevel AG	NS252GAUsed w/ 06.009
06.013	Plate, Mounting Aux	NS254K
06.014	Plate, Mounting Aluminum-Front	NS275
06.015	Bolt, Assembly 1 block	NS221-160mm
06.016	Bolt, Assembly 5 blocks	NS221-5148MM
06.018	Detent Wheel, Stl-1-0-1to4-0-4	NS245-30
06.019	Detent Wheel, Steel 5-0-5	NS245-4
06.020	Detent Wheel, Stl-6-0-67-0-7	NS245-7
06.021	Spring, Detent Light	NS241L
06.022	Spring, Detent Medium	NS241
06.023	Spring, Detent Heavy	NS241S
06.025	Detent Wheel, Steel-0 deg null	NS245-D
06.028	Gear, Step System-VE	NS225
06.029	Shaft, Drive ++	NS226
06.029.1	Plating, Zinc, clear, Shaft	drive NS226
06.031.1	Yoke, NS2 Single Axis	V18FGR, New Style
06.030	Cam, Blank, NS2	NS261A
06.034	Spacer, Mounting	NS211C
06.035	Guide, Spring Return	NS231K
06.036	Body, NS2 Aluminum	NS236K
06.038	Plate, Rear	16244Hw/bearing hole
06.039	Plate, Side Mounting	NS244VK
06.040	Arm, Spring Return-NS2	NS251LR
06.041	Plate, Base Mounting	NS254A A10.101.2042 R01
06.042	Contact Block, Double-AC	NS271K
06.043	Contact Block, Double-DC	NSB271K
06.044	Spacer, Handle-NS2 ++	NS2 WD

# VNS2 Spare Parts List

item_no	item_desc_1	item_desc_2
06.045	Cap, Lower (NS2)	NS2-WG
06.046	Washer, Handle (NS2)	NS2-WS
06.050	Roller, Spring Return	NS223
06.051	Bushing, Boot-NS2	NS230
06.052	Clip, E Bevel Gear-NS2	
06.053	Screw, Mounting NS2	Din 7500 C M5x16mm
06.054	Clamp, Boot-NS2	ZY120X9
06.055.1	Block, Guide-NS2, Bronze	NS22BRZ (New Style)
06.056	Insulator, Shaft-NS2	ISO-ROHR
06.065	Shaft, Cam, NS2, Brass 1 block	NS246A-1
06.066	Shaft, Cam, NS2, Brass 2 block	NS246A-2 60mm
06.067	Shaft, Cam, NS2, Brass 3 block	NS246A-3 82mm
06.068	Shaft, Cam, NS2, Brass 4 block	NS246A-4 104mm
06.069	Shaft, Cam, NS2, Brass 5 blks	NS246A-5 126mm
06.070	Shaft, Cam, NS2, Brass 6 block	NS246A-6 148mm ++
06.071	Screw, Mounting Aluminum	M5x20 mm DIN965
06.073	Bolt, Assembly 4 blocks	NS221-4126 mm
06.074	Shaft, Cam, NS2, Brass 7 block	NS246A-7 170mm
06.076	Spacer, Gear -2.5mm	32x12x2.5mm
06.088	Plate, Spacer w/pin standoff	NS244V1K
06.089	Plate, Middle	NS242
06.091	Spacer, Paper-8mm sq hole	
06.092	Spacer, Rear w/8mm sq hole	NS221-S11
06.098	Spacer, Brass	NS238-2.5
06.100	Gasket, Rubber	A10.101.1854
06.102	Spacer, Brass-detent Arm	NS212B
06.103	Spacer, A drive contact blk	BR5007-40-22-00
06.118	Bolt, Assembly 8 blocks	NS221-8
06.119	Shaft, Cam, NS2, Brass 8 block	NS246A-8
06.125	Bolt, Assembly 3 blocks	NS221-3
06.126	Guide, Flex Shaft	NS254K1
06.129	Screw, Cam-NS2	M4x8mm DIN 7985
06.130	Arm, Detent Plastic, no roller	NS246K
06.131	Roller, Detent Arm	NS246R-20
06.134	Bearing, Threaded, New Style	NS219A12x1
06.135	Nut, Hex, M12	NS219-1M12x1
06.150	Bolt, Assembly 7 blocks	NS221-7
06.151	Bolt, Assembly 6 blocks	NS221-6
06.152	Spacer, Gear 1.5mm	12mm Sq
06.189	Spring, Return, Light	K237FW
06.196	Screw, Nameplate-Alum mtg	M4x5 mm DIN85
06.197	Washer, Rib (NS2)	S1212mm
06.200	Bolt, Assembly 2 blocks	NS221-2
06.203	Nut, Nylock, 6mm	M6x1 985, N12
06.212	Kit, MI, Push-button NS2	
06.214	Shaft, NS2 220mm	NS286L-220
06.215	Shaft, NS2 290mm	NS286L-290
06.216	Ring, NS2	NS222H
06.236	Shaft, Flex NS2	NS2ES46-A-380
06.239	Washer, Spacer NS2 Body/drive	Din 7349 M6 6.4 x 17 x 3
06.240	Washer, Spacer NS2 drive 6.6mm	Din 126 M6 6.6 x 12 x 1.6
06.242	Retainer, Shaft steel w/screw	NS2 NS286LB

## VNS2 Spare Parts List

item_no	item_desc_1	item_desc_2
06.243	Shaft, Oper, Dual NS2 5 1/2"	w/ coupling
06.244	Shaft, Oper, Single NS2 5 1/2"	A50.101.6153 R03
06.256	Screw, VNS2 M5x12 Din 963	325.726 Front plate to side PI
06.268	Cap, VNS2	
06.297	Shaft, Oper, Single VNS2 6"	A50.101.6153 R03
06.327	Shaft, Oper, Custom VNS2V,EA	assy A80.101.7298 R00
07.205	Bolt, Hex flg lock	Dinw151-FL M5 x 10
09.159	Screw, VNS2EA PB to plate	M3.5x30 DIN7985