

## HS2 JOYSTICK

Designed for the most demanding applications, the HS2 multi-axis joystick offers durability and performance in a robust package. Available with Hall-Effect, CAN, ProfiBus, ProfiNet & 4-20mA outputs, the HS2 can be configured to a broad range of applications.



## SPECIFICATIONS

### GENERAL DATA

# of Axis	Single, Dual or Three* *Third axis is achieved via a twist handle function or thumbwheel.
Output Options	Hall-Effect, CANOpen, J1939, ProfiBus-DP, ProfiNet, 4-20mA
Joystick Action	Spring Return
Handle Travel	+/- 20 degrees each axis
Gate	Open or Cross
Handle Compatibility	MG1, MG2, MG9, MG13, MG25, G56, G58, FG-2, FG-4, RH, RHS
Life	5 million cycles
Materials	Metal housing and stainless steel components.

### MOUNTING DATA

Mounting Style Drop-in or Panel (from below)

Mounting Footprint 1.73" x 1.73" Panel mount (standard)  
3.6" x 3.6" Drop-in mount (required for fighter grip handles)  
See literature for additional mounting specifications

## ENVIRONMENTAL DATA

IP Rating IP65

Operating Temperature -40° to +158° F [-40° to +70° C]

Storage Temperature -58° to +194° F [-50° to +90° C]

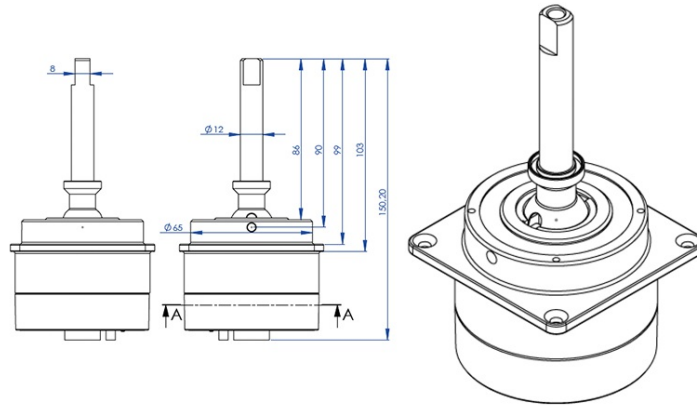
## ELECTRICAL DATA

Additional Specifications Reference product literature for additional specifications

# Technical Drawings

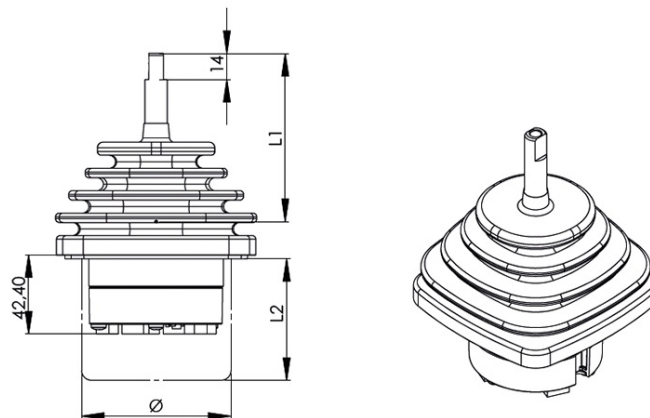
## Dimensional

All dimensions in mm and are subject to change.



HS2 Joystick dimensions for panel (from below) mounting style (canister depth subject to change based on output type, see literature for more details)

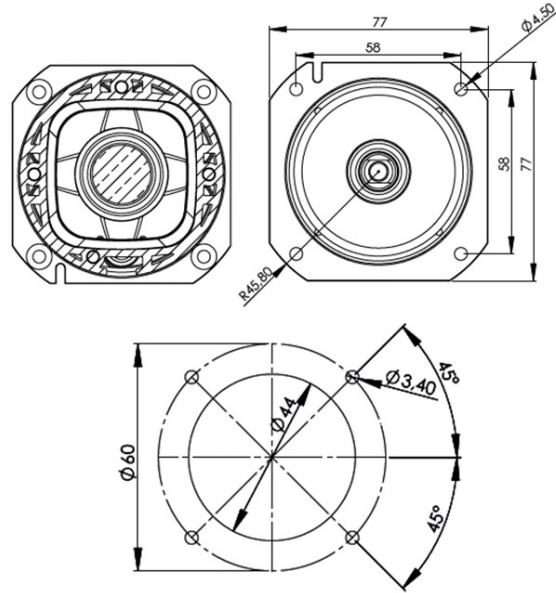
All dimensions in mm and are subject to change.



HS2 Joystick dimensions for drop-in (from above) mounting style (canister depth subject to change based on output type, see literature for more details)

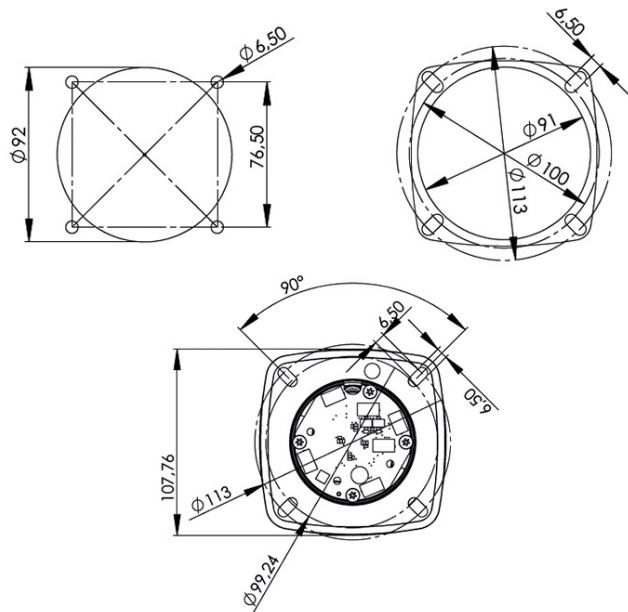
# Mounting

All dimensions in mm and are subject to change.



Mounting dimensions for panel (from below) mounting style

All dimensions in mm and are subject to change.



Mounting dimensions for drop-in (from above) mounting style

