

## CS1 JOYSTICK

The CS1 boasts an ultra compact and extremely rugged design that is ideal for applications requiring bang/bang and/or potentiometer outputs. Single and dual axis control is available as well as a variety of custom configurable handles and grips.



## SPECIFICATIONS

### GENERAL DATA

# of Axis	Single, Dual or Three* *Third axis is achieved via a twist handle function or thumbwheel.
Output Options	Microswitches, Potentiometers & PWM
Joystick Action	Spring Return or Friction Brake* *Friction brake limited to one output device per axis
Handle Travel	+/- 36 degrees each axis (standard) +/- 26 degrees each axis (optional)
Gate	Open or Cross
Max # of Steps	1-0-1
Handle Compatibility	Standard Handles, BH, RH, RHS, FG-3, FG-4, FG-5, MG1, MG2, MG9, MG13, MG27, TH30, G56, G58
Life	3-5 million cycles
Materials	Nickel chromium yoke, glass filled body.

Est. Shipping Weight 3 lbs.

Est. Shipping Dimensions 8 in. x 8 in. x 8 in.

## MOUNTING DATA

Mounting Style Drop-in or Panel (from below)

Mounting Footprint 2.84" x 2.84" Panel mount (standard)  
3.78" x 3.78" Drop-in mount (required for fighter grip handles)  
See literature for additional mounting specifications

## ENVIRONMENTAL DATA

IP Rating IP54

Operating Temperature -13 to +158 degrees F [-25 to +70 degrees C]

Storage Temperature -40 to +158 degrees F [-40 to +70 degrees C]

## ELECTRICAL DATA

Switch Type:  
SPDT (Form C) SS Series Microswitches (Proportional)  
SPDT (Form C) V Series Microswitches (Bang/Bang)

Max. Number:  
Up to 4 per axis with potentiometer (Proportional)  
Up to 8 per axis without potentiometer (Proportional)  
Up to 2 per axis (Bang/Bang)

Current Rating (AC):  
5A (Proportional)  
11A (Bang/Bang)

Contact Specifications Voltage Rating (AC):  
250 (Proportional)  
250 (Bang/Bang)

Current Rating (DC):  
6A (Bang/Bang)

Voltage Rating (DC):  
12 - 24 (Bang/Bang)

Termination:  
.110 x .20" quick disconnect (5A Proportional)  
.187" x .20" male quick connect (11A Bang/Bang)

Max. Wire Size:  
18 AWG

Additional  
Specifications

Reference product literature for additional specifications

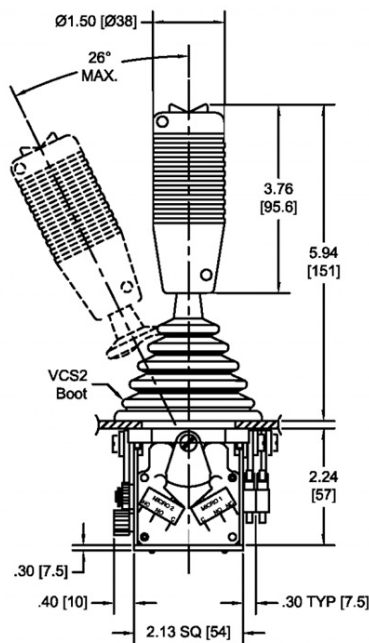
# Technical Drawings

## Dimensional

CS1 with a standard 2-piece handle, internal potentiometer and (2) 5A SPDT microswitches each axis

CS1 bang/bang with a round ball handle and 10A microswitches

All dimensions in inches [mm] and are subject to change.



CS1 with an RHS rocker handle and internal potentiometer

## Mounting

Panel mounting (mounts from below) with  $1.89$  in $\text{Ø}$  (48 mm) or  $2.244$  in $\text{Ø}$  (57 mm) center hole

Drop-in mounting (mounts from above) with  $3.149$  in $\text{Ø}$  (80 mm) center hole and adaptor plate