

MERRITT SYNERGY

Combining superior comfort and adjustability, the Merritt Synergy line of operator chair systems brings ease-of-use and productivity to new heights.



SPECIFICATIONS

GENERAL DATA

Unique Features	<ul style="list-style-type: none"> - High level of adjustability - Improved operator comfort
Console Width	10", 12" or custom (up to 15")
Max Number of Devices	<p><i>10" Console</i> Up to 8 devices and 1 joystick or 6 devices and 2 joysticks</p> <p><i>12" Console</i> Up to 14 devices and 1 joystick or 12 devices and 2 joysticks</p>
Seat Options	<p><i>Model</i></p> <ul style="list-style-type: none"> - Koenig Seat (Leather or Cloth) - Actimo Seat (Velour or Vinyl) <p><i>Options</i></p> <ul style="list-style-type: none"> - Full cushion or u-cut cushion (Koenig seat only) - Heated seat (leather Koenig only) - Motorized seat recline (leather Koenig only) - 2-point retractable seat belt - 4-point shoulder harness - Operator presence switch

Suspension Options	<p><i>Mechanical Suspensions</i></p> <ul style="list-style-type: none"> - Heavy Duty (weight up to 400 lbs) <p><i>Pneumatic (Air) Suspensions</i></p> <ul style="list-style-type: none"> - Wide (weight up to 375 lbs) - Heavy Duty (weight up to 485 lbs)
Armrest Type	Console mounted, large armrests with 11 position tilt adjustment for optimal upper body support. Leather handrest also supplied standard.
Footrest Option	<ul style="list-style-type: none"> - 2-piece fixed footrest with adjustable horns - 2-piece fixed footrest
Est. Shipping Weight	580 lbs.
Est. Shipping Dimensions	60 in. x 45 in. x 52 in.

ADJUSTMENT FEATURES

System Rotation	Optional, up to 270 degrees
System Height	✓
System Tilt	✓
Consoles Slide Forward/Backward	✓
Consoles Tilt	✓
Consoles - Slew In/Out	✓
Armrests - Height	✓
Armrests - Tilt	✓
Seat - Slide Forward / Backward	✓

Seat - Recline ✓

Seat - Lumbar ✓

Footrest - Height /
Tilt ✓

TECHNICAL DATA

270 degrees max with pin lock or friction brake operation

Rotation Optional
Pin Lock
4 locking positions (every 90 degrees). Positions can be customized to your specifications.

Friction Brake
System holds throughout +/- 135 degrees of travel.

Max Turning Radius
System with 10" Console
30.5" [775 mm]

System with 12" Console
33.1" [840 mm]

Slide Range
23.4" [595 mm] total adjustment
15.6" [400 mm] seat slide range
7.8" [200 mm] seat and consoles range slide range

Scissor Adjust Range
Height: adjustable to 3.2" [80 mm]
Tilt: adjustable to 14 degrees

Armrest Adjust Range
Tilt / height adjustment: 11 positions, 5 - 30 degrees

Console Adjust Range
Tilt: -20 degrees (down), +50 degrees (up)
Slew: 5 degrees (in), 10 degrees (out)
Slide: +/-1.97" [50 mm]

Backrest Recline
Koenig Seat
10 degrees (forward), 80 degrees (backward)

Actimo Seat
80 degrees
46 degrees with 4-point retractable harness

Seat Cushion
Adjust Range

Koenig Seat
Depth: 3.9" [100 mm]

Actimo Seat
Depth: 2.4" [60 mm] in 5 increments forward
Tilt: 3-11 degrees in 4 increments

Headrest Adjust
Range

Koenig Seat
Height adjustment: 2.4" [60 mm]
Tilt: 38 degrees

Actimo Seat
Height adjustment: 3.5" [90mm]
Tilt: 38 degrees

Under Chair Cable
Clearance

6" [152.4 mm] Min

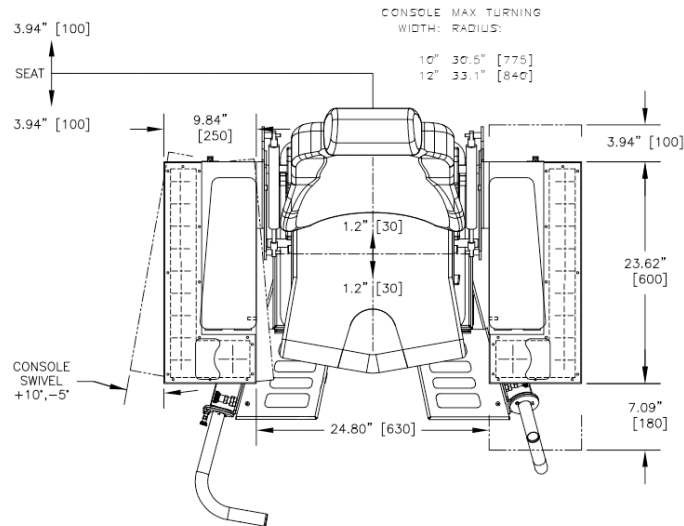
Additional
Specifications

Reference product literature for additional specifications and options

Technical Drawings

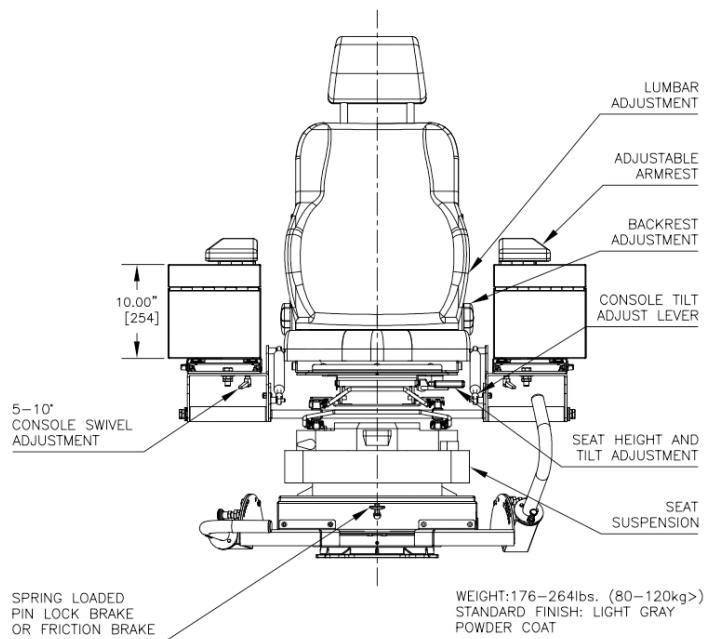
Dimensional

All dimensions in inches [mm] and are subject to change.



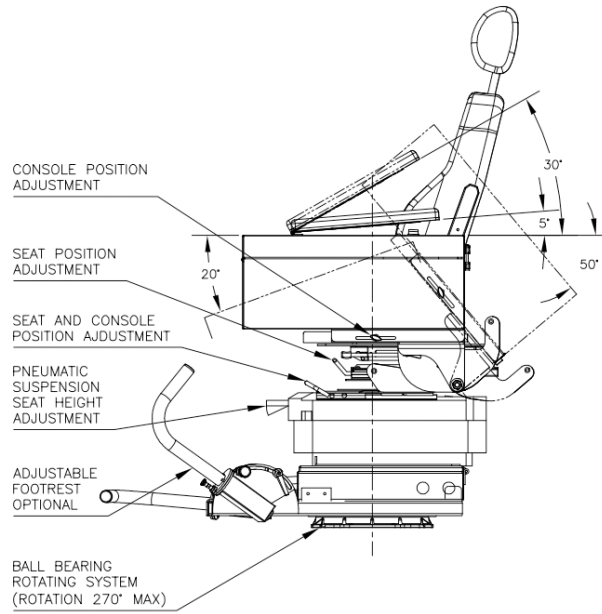
Merritt Synergy dimensions

All dimensions in inches [mm] and are subject to change.



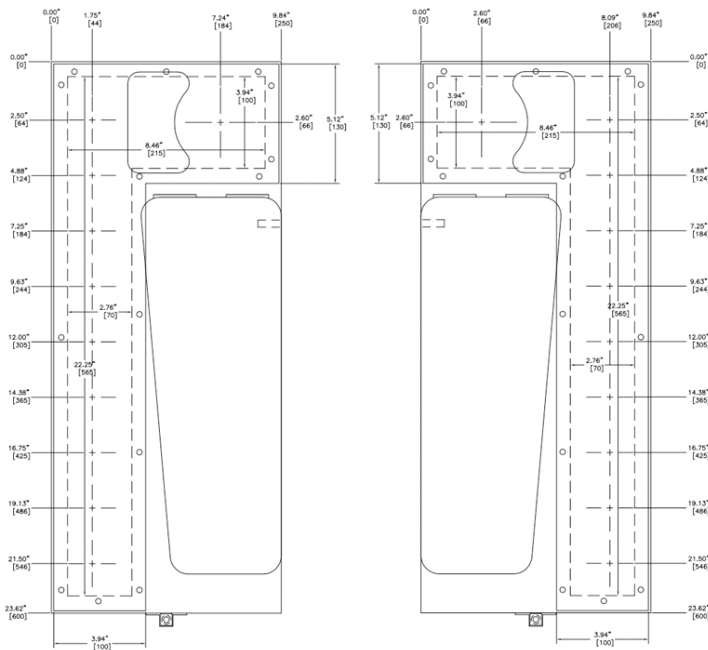
Merritt Synergy dimensions continued

All dimensions in inches [mm] and are subject to change.

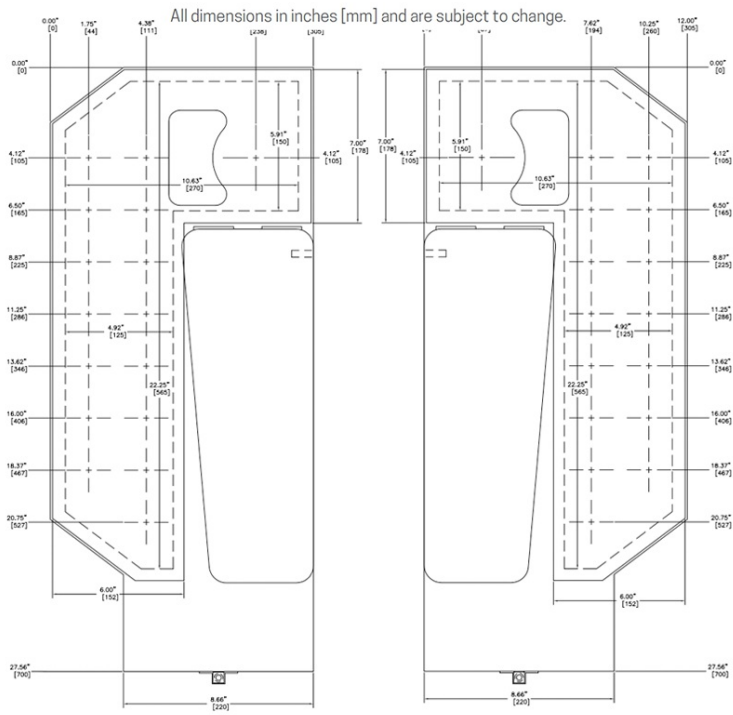


Merritt Synergy adjustability

All dimensions in inches [mm] and are subject to change.



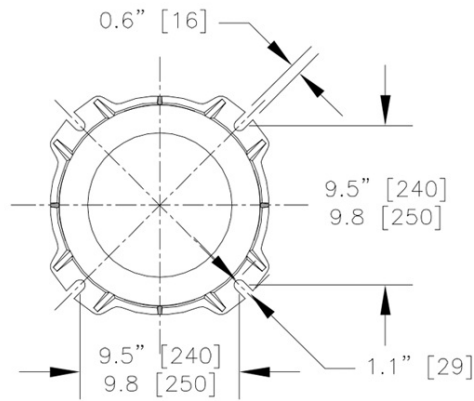
10 inch console standard layout



12 inch console standard layout

Mounting

All dimensions in inches [mm] and are subject to change.



Mounting flange details