

## CS3 B/B JOYSTICK

The CS3 B/B is an ultra-tough switch joystick designed specifically for bang / bang (on / off) operation. The durable housing and center pivot design make this device resistant to abuse and ideally suited for high duty cycle applications.



## SPECIFICATIONS

### GENERAL DATA

# of Axis	Single, Dual or Three* *Third axis is achieved via a twist handle function or thumbwheel.
Output Options	Microswitches
Joystick Action	Spring Return
Handle Travel	+/-15 degrees each axis
Gate	Open or Cross
Handle Compatibility	Round Ball, BH, RH, RHS, FG-3, FG-4, FG-5, G58, MG1, MG13, MG27 & TH30
Life	20 million plus cycles
Materials	High strength, glass filled nylon housing.

### MOUNTING DATA

Mounting Style Drop-in or Panel (from below)

Mounting Footprint 2.76" x 2.76 Panel mount  
3.54" x 3.54" Drop-in mount  
See literature for additional mounting specifications

## ENVIRONMENTAL DATA

IP Rating IP54

Operating Temperature -13 to +158 degrees F [-25 to +70 degrees C]

Storage Temperature -40 to +158 degrees F [-40 to +70 degrees C]

## ELECTRICAL DATA

Switch Type:  
SPDT (Form C) V Series Microswitches

Max. Number:  
Up to 4 per axis

Current Rating (AC):  
11A

Voltage Rating (AC):  
250

Contact Specifications Current Rating (DC):  
6A

Voltage Rating (DC):  
12 - 24

Termination:  
.187" x .20" male quick connect

Max. Wire Size:  
18 AWG

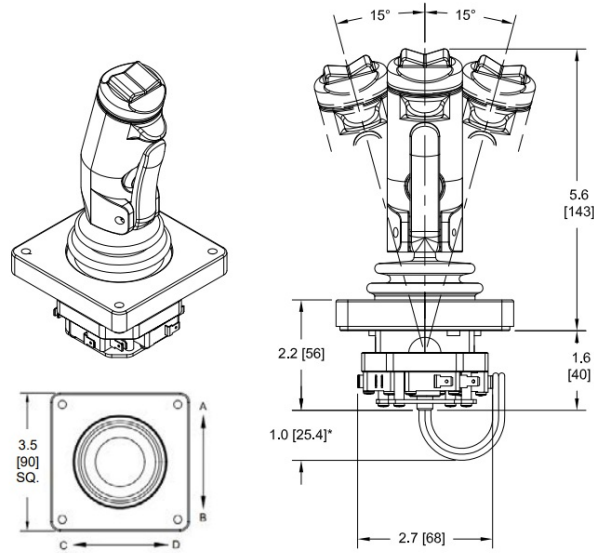
Additional  
Specifications

Reference product literature for additional specifications

# Technical Drawings

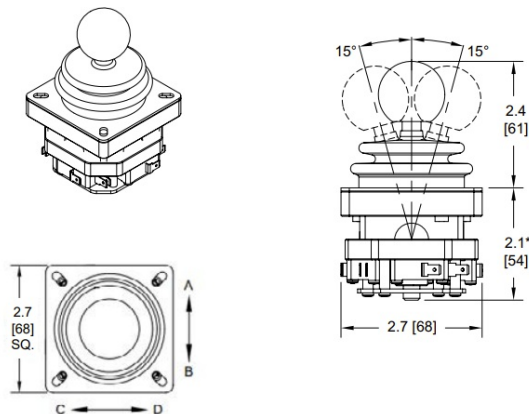
## Dimensional

All dimensions in inches [mm] and are subject to change.



Drop-in mounting & panel mounting style 2 (P2). Shown with BH handle.

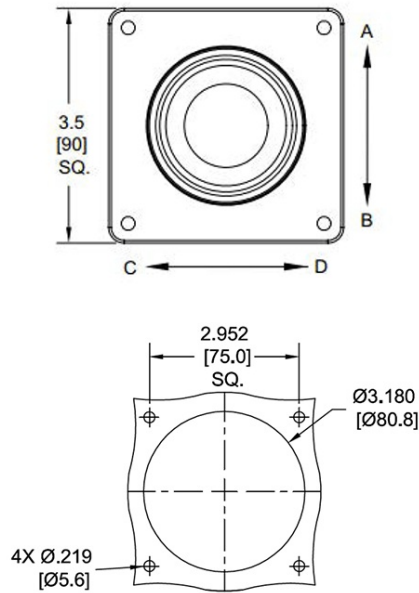
All dimensions in inches [mm] and are subject to change.



Panel mounting style 1 (P1). Shown will round ball handle.

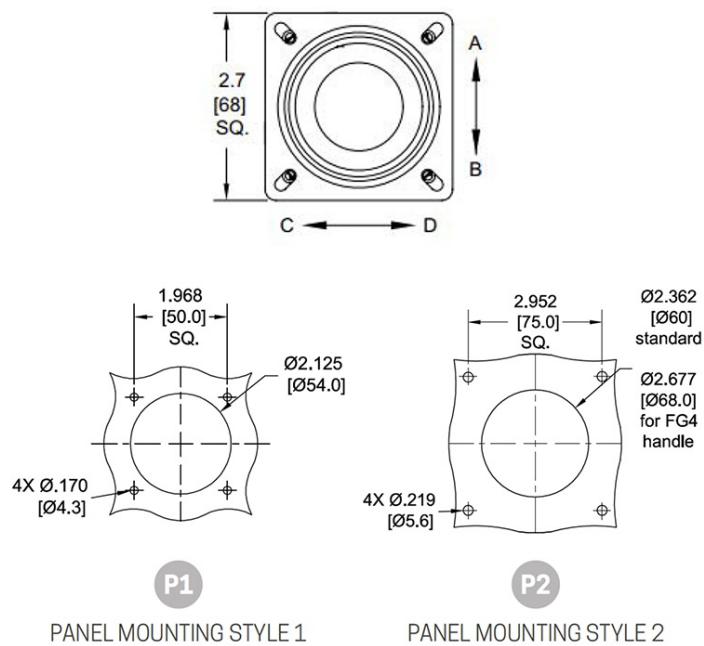
# Mounting

All dimensions in inches [mm] and are subject to change.



CS3 B/B drop-in mounting (mounts from above).

All dimensions in inches [mm] and are subject to change.



CS3 B/B panel mounting (mounts from below). P2 mounting pattern uses larger (drop-in) CS3 body.

