

VCS2 JOYSTICK

The compact VCS2 multi-axis joystick sports versatility and reliability for a range of applications. The all plastic Zytel housing and specially treated rugged metal components make this device ideal for use in corrosive environments. Single and dual axis controls are also available, as well as twist handle functions.



SPECIFICATIONS

GENERAL DATA

# of Axis	Single, Dual or Three* *Third axis is achieved via a twist handle function or thumbwheel.
Output Options	Microswitches, Potentiometer & PWM
Joystick Action	Spring Return, Friction Brake or Maintained
Handle Travel	+/- 37 degrees each axis
Gate	Open or Cross
Max # of Steps	Up to 3-0-3
Handle Compatibility	Standard Handles, Mechanical Interlock, FG-3, FG-4, FG-5, RH, RHS, BH, MG1, MG2, MG13, MG9 / MG25, MG27, G56
Life	5 million cycles (spring return) 10 million cycles (friction brake)
Materials	Glass filled Zytel body, nickel chromium yoke (properties similar to stainless steel)

Est. Shipping Weight 3 lbs.

Est. Shipping Dimensions 8 in. x 8 in. x 8 in.

MOUNTING DATA

Mounting Style Panel (from below)

Mounting Footprint 2.84" x 2.84"
See literature for additional mounting specifications

ENVIRONMENTAL DATA

IP Rating IP54

Operating Temperature -13 to +158 degrees F [-25 to +70 degrees C]

Storage Temperature -40 to +158 degrees F [-40 to +70 degrees C]

ELECTRICAL DATA

Switch Type:
SPDT (Form C) SS Series Microswitches

Max. Number:
Up to 4 per axis with potentiometer
Up to 6 per axis without potentiometer

Contact Specifications Current Rating (AC):
5A

Voltage Rating (AC):
250

Termination:
.110 x .20" quick disconnect

Max. Wire Size:

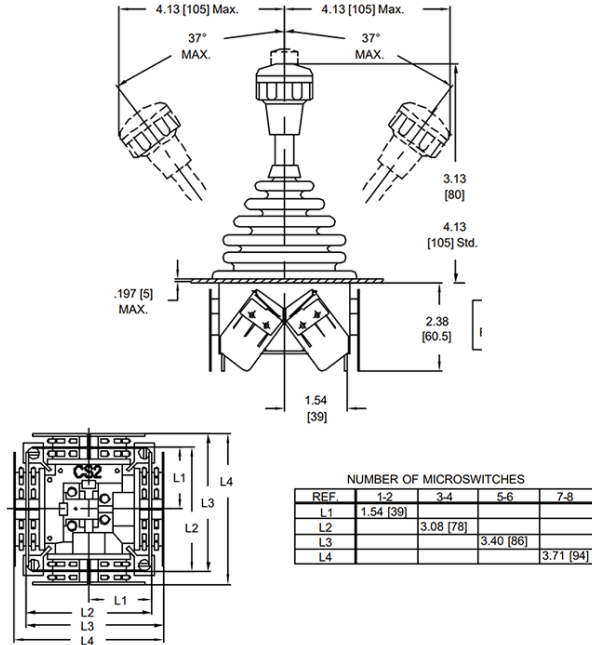
Additional
Specifications

Reference product literature for additional specifications

Technical Drawings

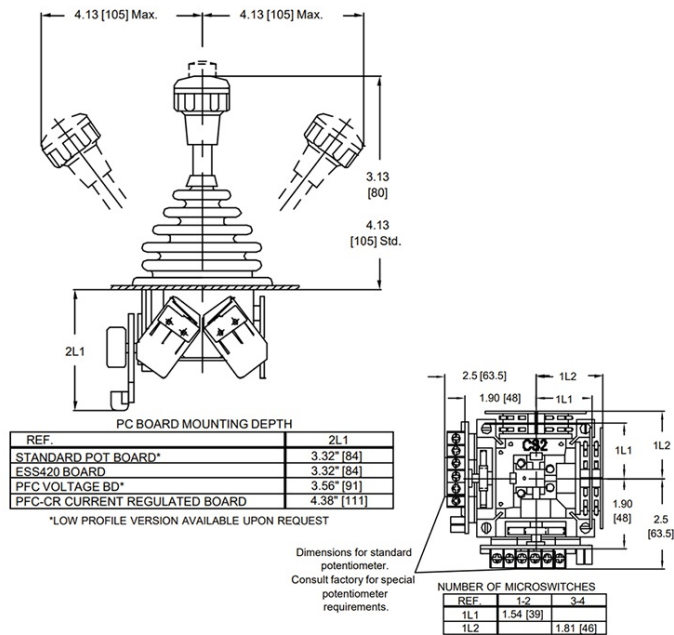
Dimensional

All dimensions in inches [mm] and are subject to change.



VCS2 overall dimensions with microswitches. Shown with standard 2 piece handle.

All dimensions in inches [mm] and are subject to change.



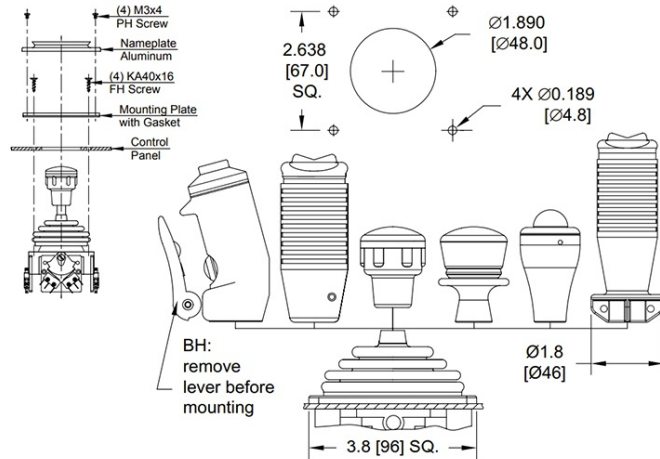
VCS2 overall dimensions with PC boards. Shown with standard 2 piece handle.

Mounting

All dimensions in inches [mm] and are subject to change.

MOUNTING STYLE 1:

Standard 5 hole with 1.890 [48.0] center hole

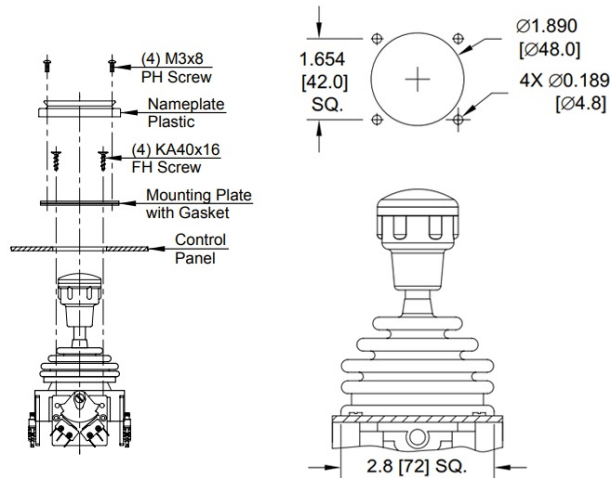


Mounting style 1. Standard VCS2 mounting for use with BH, RH, RHS, MG27 and standard handles.

All dimensions in inches [mm] and are subject to change.

MOUNTING STYLE 2:

Optional 5 hole with \varnothing 1.890 [48.0] center hole and 2.84 [72] X 2.84 [72] nameplate

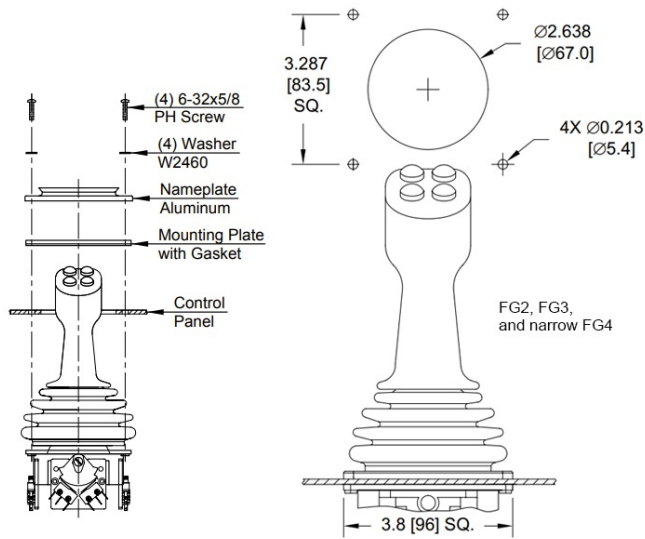


Mounting style 2. Optional mounting for use with 2.84 x 2.84 nameplate.

All dimensions in inches [mm] and are subject to change.

MOUNTING STYLE 3:

5 hole with 2.638Ø [67.0] center hole

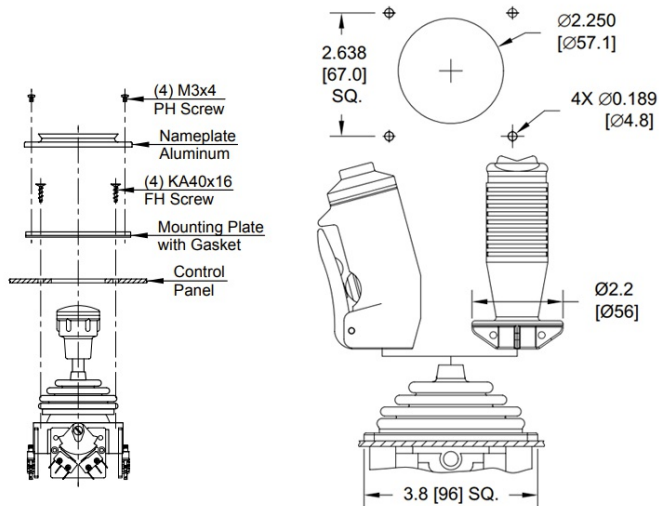


Mounting style 3. For use with FG2, FG3, and narrow FG4 handles.

All dimensions in inches [mm] and are subject to change.

MOUNTING STYLE 4:

5 hole with 2.250Ø [57.1] center hole



Mounting style 4. For use with BH handle and RH handles. BH lever does not need to be removed for installation.