

MERRITT SELECT

The industry standard for cranes and a range of cab-operated equipment, the Merritt Select (formerly FSA/FSAD & LFC/LRC) operator chair system offers a balance of adjustments and ruggedness in a field proven design.



SPECIFICATIONS

GENERAL DATA

Unique Features	<ul style="list-style-type: none"> - Industry standard for cranes - Multitude of configurations
Console Width	6", 9" or 12"
Max Number of Devices	<p><i>6" Console</i> Up to 5 devices and 1 joystick</p> <p><i>9" Console</i> Up to 11 devices and 1 joystick or 8 devices and 2 (1-axis) joysticks</p> <p><i>12" Console</i> Up to 19 devices and 1 joystick or 15 devices and 2 joysticks</p>
Seat Options	<p>Actimo Seat (Velour or Vinyl)</p> <p><i>Options</i></p> <ul style="list-style-type: none"> - Armrests with tilt and height adjustments - 2-point retractable seat belt - 4-point shoulder harness - Operator presence switch <p><i>Mechanical Suspensions</i></p>

Suspension Options	<ul style="list-style-type: none"> - 4 Step w/ Lift Assist (weight up to 309 lbs) - Heavy Duty (weight up to 400 lbs) <p><i>Pneumatic (Air) Suspensions</i></p> <ul style="list-style-type: none"> - Standard (weight up to 330 lbs) - Wide (weight up to 375 lbs) - Heavy Duty (weight up to 485 lbs)
Armrest Type	Console mounted armrests with tilt, height, and horizontal slide adjustments.
Footrest Option	<ul style="list-style-type: none"> - 2-piece fixed footrest - 1-piece (platform-style) fixed footrest
Est. Shipping Weight	375 lbs.
Est. Shipping Dimensions	60 in. x 45 in. x 52 in.

ADJUSTMENT FEATURES

System Rotation	Optional, up to 270 degrees
System Height	✓
System Tilt	✗
Consoles Slide Forward/Backward	✓
Consoles Tilt	Optional, flip-up
Consoles - Slew In/Out	✗
Armrests - Height	✓
Armrests - Tilt	✓
Armrests - Slide Forward / Backward	✓

Seat - Slide
Forward / Backward ✓

Seat - Recline ✓

Seat - Lumbar ✓

Footrest - Height / Tilt ✗

TECHNICAL DATA

270 degrees max with pin lock or friction brake

Pin Lock
Rotation Optional 4 locking positions (every 90 degrees). Positions can be customized to your specifications.

Friction Brake
System holds throughout +/- 135 degrees of travel.

System with 6" Console
23.8" [605 mm]

Max Turning Radius *System with 9" Consoles*
26.0" [661 mm]

System with 12" Console
28.4" [721 mm]

Slide Range 16" [406 mm] total adjustment
8" [203 mm] seat slide range
8" [203 mm] seat and console slide range

Armrest Adjust Range Tilt: -10 degrees (down), +5 degrees (up)
Height: 1.87" [47.5 mm]
Horizontal: 2" [51 mm]

Console Adjust Range (Optional) Flips up for access to seat in restricted space applications

Backrest Recline *Actimo Seat*
80 degrees
46 degrees with 4-point shoulder harness

Seat Cushion *Actimo Seat*
Adjust Range Depth: 2.4" [60 mm] in 5 increments forward
Tilt: 3-11 degrees in 4 increments

Headrest Adjust *Actimo Seat*
Range Height adjustment: 3.5" [90mm]
Tilt: 38 degrees

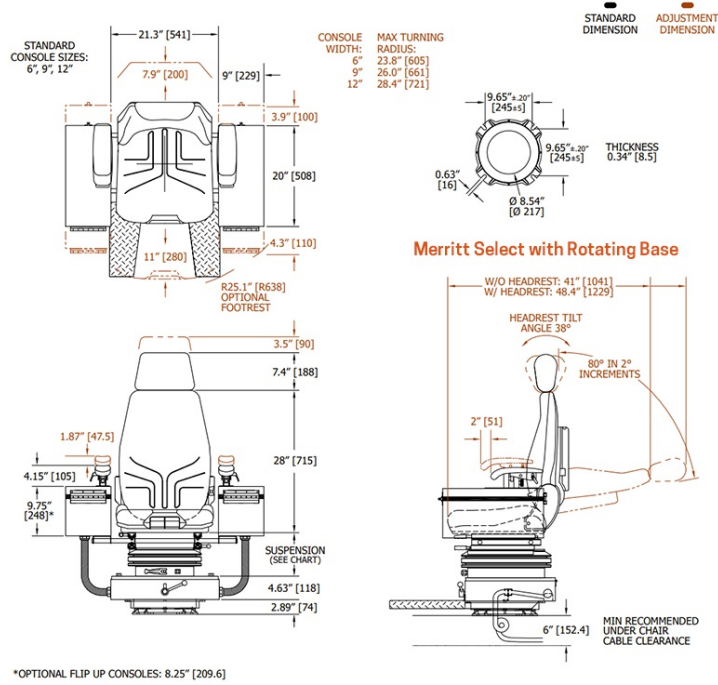
Under Chair Cable *Actimo Seat*
Clearance 6" [152.4 mm] Min

Additional *Actimo Seat*
Specifications Reference product literature for additional specifications and options

Technical Drawings

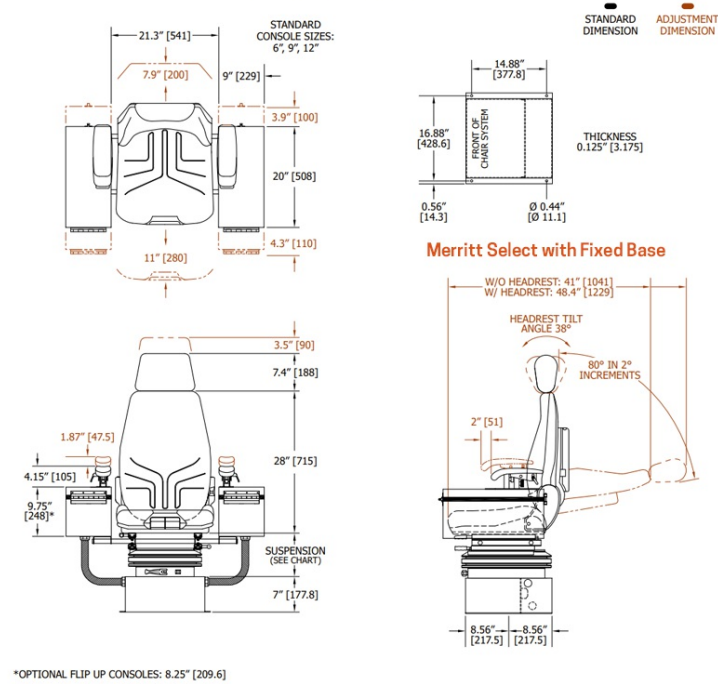
Dimensional

All dimensions in inches [mm] and are subject to change.



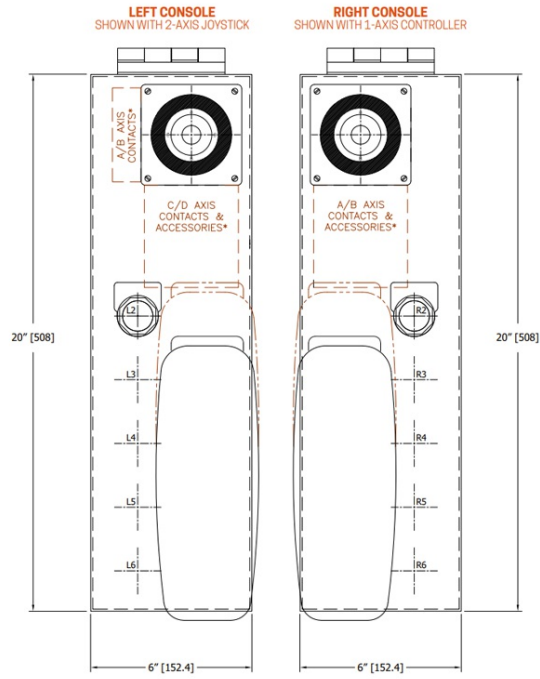
Rotating base model dimensions

All dimensions in inches [mm] and are subject to change.



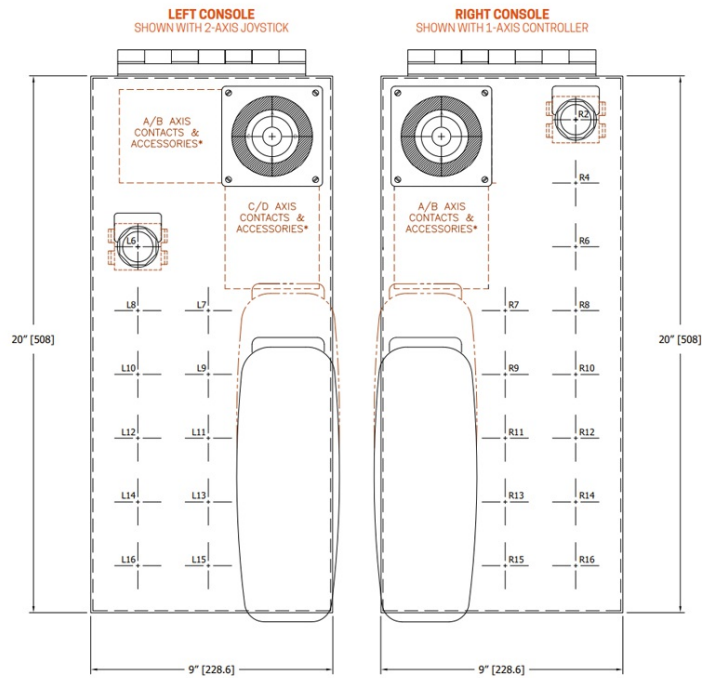
Fixed base model dimensions

All dimensions in inches [mm] and are subject to change.



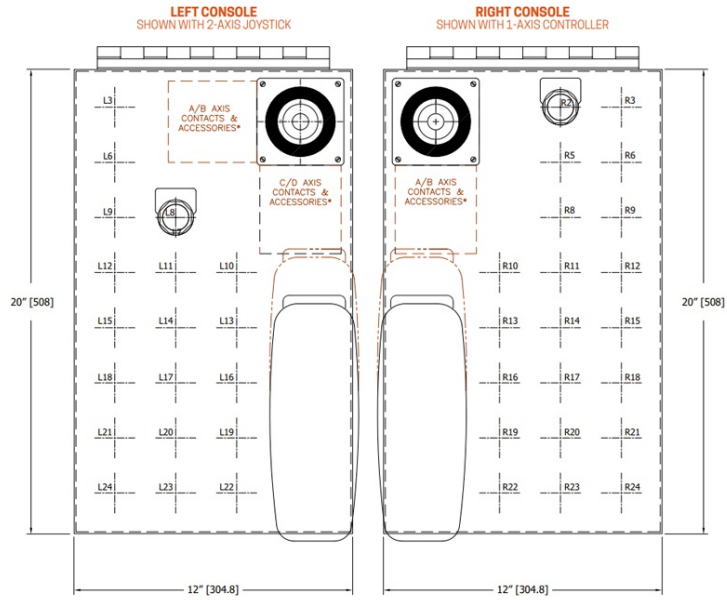
6 inch console standard layout

All dimensions in inches [mm] and are subject to change.



9 inch console standard layout

All dimensions in inches [mm] and are subject to change.



*Outline represents joystick drive with 5 contact blocks or 2 contact blocks with a potentiometer or encoder

12 inch console standard layout