

VCSO JOYSTICK

The VCSO joystick is rugged, compact and offers excellent application versatility. VCSO Joysticks are utilized where precise proportional and step control of A/C or D/C drives and electro-hydraulics is desired.



SPECIFICATIONS

GENERAL DATA

# of Axis	Single, Dual or Three* *Third axis is achieved via a twist handle function or thumbwheel.
Output Options	Contacts, Potentiometer, & Encoder
Joystick Action	Spring Return, Friction Brake or Maintained
Handle Travel	+/- 37 degrees each axis
Gate	Open or Cross
Max # of Steps	Up to 6-0-6
Handle Compatibility	Standard Handles, Mechanical Interlock, Round Ball, FG-3, FG-4, FG-5, RH, RHS, BH, MG1, MG2, MG13, MG9 / MG25, MG27, G56
Life	10 million cycles
Materials	Glass filled Zytel body, nickel chromium yoke (properties similar to stainless steel)

Est. Shipping Weight 2-3 lbs.

Est. Shipping Dimensions 8 in. x 8 in. x 8 in.

MOUNTING DATA

Mounting Style Panel (from below)

Mounting Footprint 3.78" x 3.78"
2.84" x 2.84" (optional)
See literature for additional mounting specifications

ENVIRONMENTAL DATA

IP Rating IP54

Operating Temperature -13 to +158 degrees F [-25 to +70 degrees C]

Storage Temperature -40 to +158 degrees F [-40 to +70 degrees C]

ELECTRICAL DATA

Switch Type:
Double Pole Contact Blocks

Max. Number:
Up to 3 contact blocks (6 circuits) with potentiometer
Up to 6 contact blocks (12 circuits) without potentiometer

Contact Specifications Rating (AC):
Resistive 10 amps @ 240V
Inductive 4 amps @ 240V

Termination:
Saddle Clamp

Max. Wire Size:
12 AWG

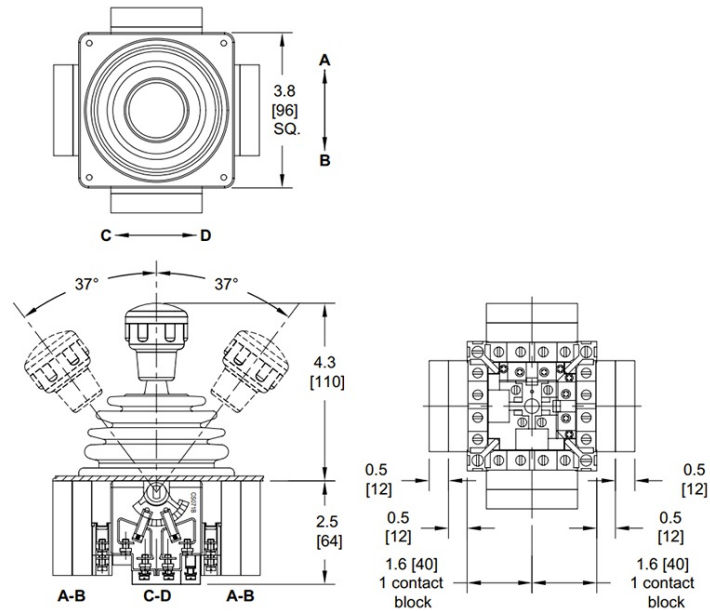
Additional
Specifications

Reference product literature for additional specifications

Technical Drawings

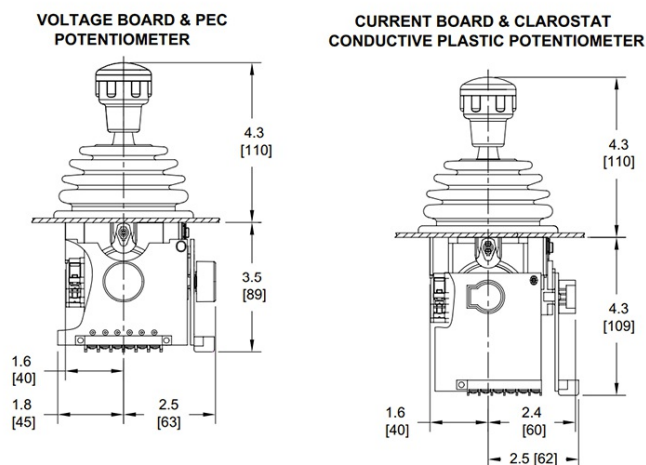
Dimensional

All dimensions in inches [mm] and are subject to change.



VCISO overall dimensions. Shown with dual axis operation and standard 2 piece handle.

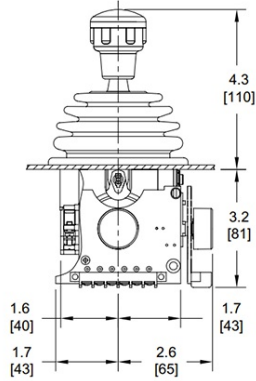
All dimensions in inches [mm] and are subject to change.



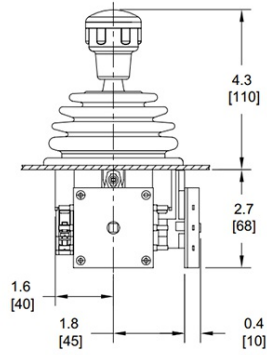
VCISO dimensions for potentiometer boards

All dimensions in inches [mm] and are subject to change.

STANDARD POTENTIOMETER BOARD & PEC POTENTIOMETER



POTENTIOMETER PD550/PW55



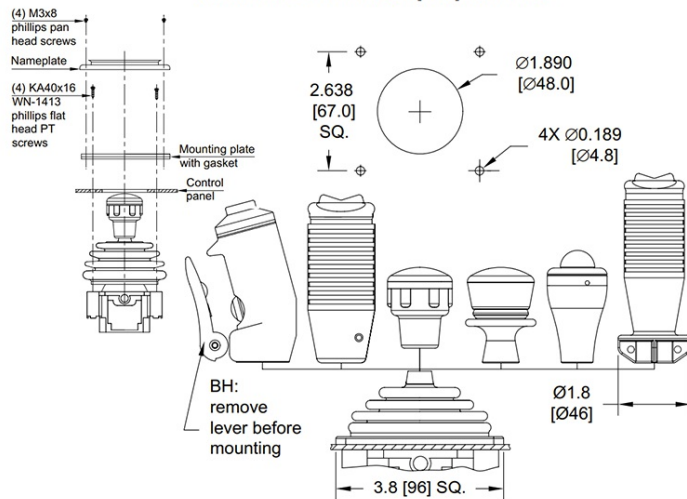
VCSO dimensions for potentiometer boards and PD550

Mounting

All dimensions in inches [mm] and are subject to change.

MOUNTING STYLE 1:

Standard 5 hole with 1.890 [48.0] center hole

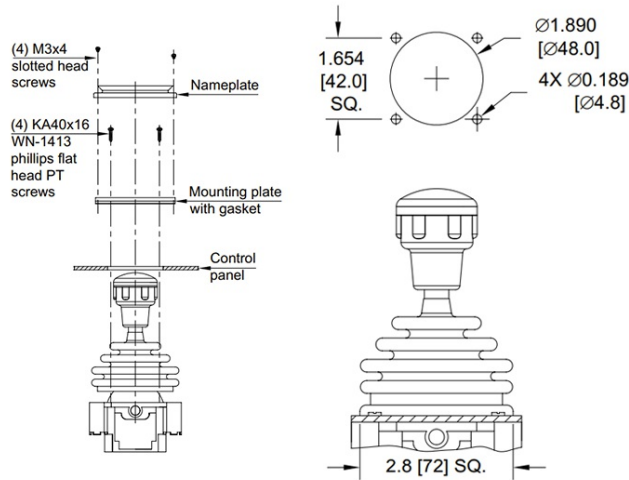


Mounting style 1. Standard VCSO mounting for use with BH, RH, RHS, MG27 and standard handles.

All dimensions in inches [mm] and are subject to change.

MOUNTING STYLE 2:

Optional 5 hole with $\varnothing 1.890$ [48.0] center hole
and 2.84 [72] X 2.84 [72] nameplate

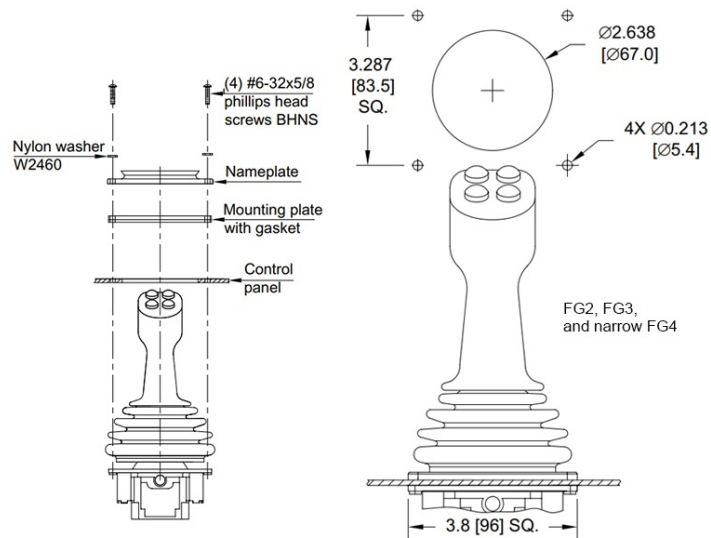


Mounting style 2. Optional mounting for use with 2.84 x 2.84 nameplate.

All dimensions in inches [mm] and are subject to change.

MOUNTING STYLE 3:

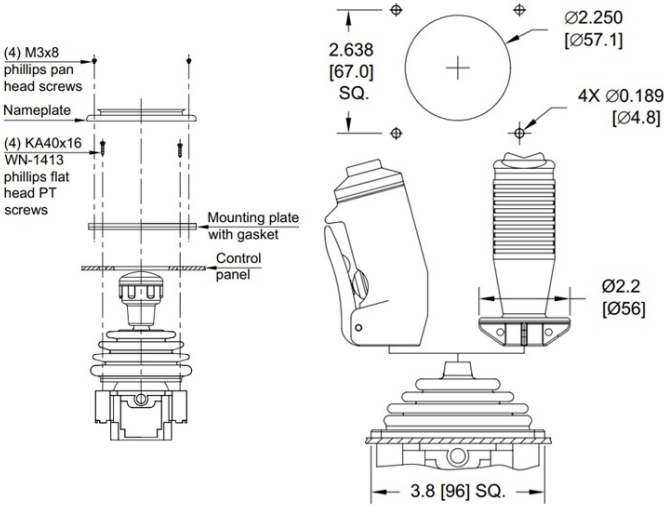
5 hole with 2.638 \varnothing [67.0] center hole



Mounting style 3. For use with FG2, FG3, and narrow FG4 handles.

All dimensions in inches [mm] and are subject to change.

MOUNTING STYLE 4:
5 hole with 2.250Ø [57.1] center hole



Mounting style 4. For use with BH handle and RH handles. BH lever does not need to be removed for installation.