

VNS2 JOYSTICK

Often described as an oversized VNSO, the VNS2 multi-axis joystick offers the maximum in ruggedness and versatility. The VNS2 provides step and stepless control for AC & DC variable speed applications, and feature contact drives that can be configured to fit into the available panel space.



SPECIFICATIONS

GENERAL DATA

# of Axis	Single, Dual or Three* *Third axis is achieved via a twist handle function or thumbwheel.
Output Options	Contacts, Potentiometer, Encoder, 4-20mA & Transformer
Joystick Action	Spring Return, Friction Brake or Maintained
Handle Travel	+/- 40 degrees each axis
Gate	Open or Cross
Max # of Steps	Up to 7-0-7
Handle Compatibility	Standard Handles, Mechanical Interlock, FG-3, FG-4, FG-5, RH, RHS, BH, MG1, MG2, MG13, MG9 / MG25, MG27, G56
Life	20 million cycles
Materials	Aluminum body and nickel chromium yoke.
Est. Shipping Weight	1 Axis: 17 lbs. 2-Axis: 21 lbs.

Est. Shipping Dimensions	1-Axis: 24 in. x 12 in. x 12 in. 2-Axis: 18 in. x 18 in. x 16 in.
--------------------------	--

MOUNTING DATA

Mounting Style	Panel (from below)
----------------	--------------------

Mounting Footprint	5.67" x 5.67" See literature for additional mounting specifications
--------------------	--

ENVIRONMENTAL DATA

IP Rating	IP54
-----------	------

Operating Temperature	-13 to +158 degrees F [-25 to +70 degrees C]
-----------------------	--

ELECTRICAL DATA

Contact Specifications	Switch Type: Double Pole Contact Blocks
	Max. Number: Up to 10 contact blocks (20 circuits) per axis
	Max. Switching Capacity: Making - 160 amps Breaking - (0.7PF) 240V 160 amps
	Rating (AC) VNS2: Continuous 25 amps @ 600V Resistive 20 amps @ 240V Inductive 14 amps @ 240V
	Rating (DC) VNSB2: Resistive 5 amps @ 250V Inductive 2 amps @ 250V
	Termination: Saddle Clamp

Max. Wire Size:
12 AWG

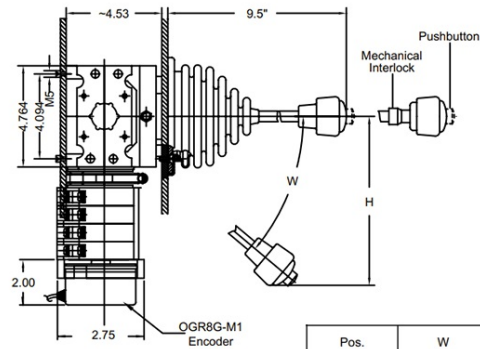
Additional
Specifications

Reference product literature for additional specifications

Technical Drawings

Dimensional

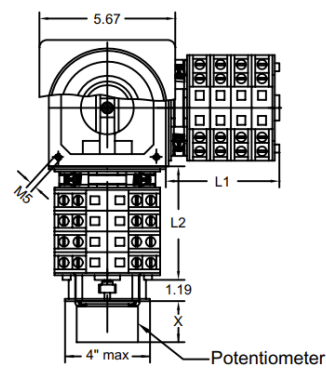
All dimensions in inches [mm] and are subject to change.



Pos.	W	H
1-0-1	10°	2.50
2-0-2	20°	3.87
3-0-3	30°	5.00
4-0-4	40°	6.37
5-0-5	40°	6.37
6-0-6	35°	5.75
7-0-7	40°	6.37

VNS2 dimensions and handle degree of travel

All dimensions in inches [mm] and are subject to change.

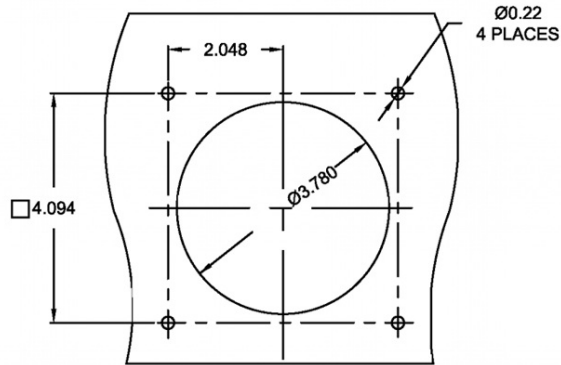


L1 or L2 Dimensions	2.28	3.15	4.00	4.88	5.75	6.61	7.48	8.35	9.21	10.07
Double Pole Contact Blocks	1	2	3	4	5	6	7	8	9	10

VNS2 dimensions including contact drives

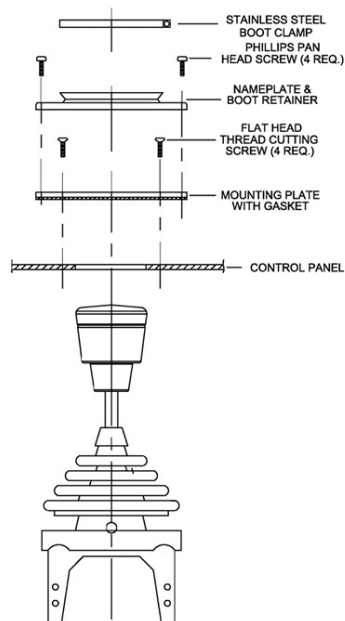
Mounting

All dimensions in inches [mm] and are subject to change.



VNS2 mounting details

All dimensions in inches [mm] and are subject to change.



VNS2 mounting instructions

