

MO MINI JOYSTICK

The MO finger operated joystick features an ultra-compact and rugged construction. Available in single or dual axis, the MO mini joystick can be configured with different handle types and with microswitch or potentiometer output.



SPECIFICATIONS

GENERAL DATA

# of Axis	Single or Dual
Output Options	Microswitches & Potentiometer
Joystick Action	Spring Return or Friction Brake
Handle Travel	+/- 28 degrees each axis
Gate	Open or Cross
Max # of Steps	Up to 5-0-5
Handle Compatibility	Tapered, round ball, push button or mechanical interlock
Life	3-5 million cycles each direction
Materials	High strength, glass filled nylon housing.
Est. Shipping Weight	2 lbs.

Est. Shipping Dimensions	8 in. x 6 in. x 6 in.
--------------------------	-----------------------

MOUNTING DATA

Mounting Style	Panel (from below)
----------------	--------------------

Mounting Footprint	2.5" x 2.5" See literature for additional mounting specifications
--------------------	--

ENVIRONMENTAL DATA

IP Rating	IP54
-----------	------

Operating Temperature	-4 to +140 degrees F [-20 to +60 degrees C]
-----------------------	---

ELECTRICAL DATA

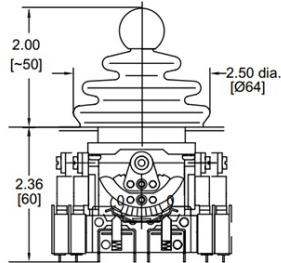
Contact Specifications	Switch Type: SPDT (Form C) SS Series Microswitches
	Max. Number: Up to 4 per axis with potentiometer Up to 8 per axis without potentiometer
	Current Rating (AC): 5A
	Voltage Rating (AC): 250
	Termination: .110 x .20" quick disconnect
	Max. Wire Size: 18 AWG

Additional Specifications	Reference product literature for additional specifications
---------------------------	--

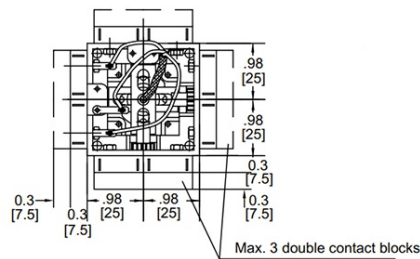
Technical Drawings

Dimensional

All dimensions in inches [mm] and are subject to change.

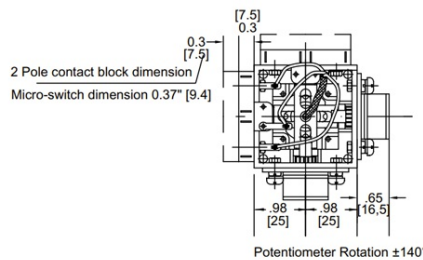
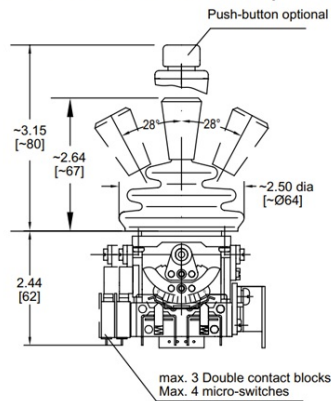


Up to 5-0-5 Steps furnished with or without spring return.
Contact blocks with force actuated silver or gold contacts.



MO Dimensions. Shown with round ball handle.

All dimensions in inches [mm] and are subject to change.



MO Dimensions. Shown with tapered handle and push button handle

