

MERRITT ULTRA

The Merritt Ultra (formerly SV1C) consists of a rigid, heavy duty construction and oversized consoles to house a multitude of joysticks, controllers, and pilot devices. The heavy duty operator chair system also features a range of manual seat adjustments for positioning flexibility.

SPECIFICATIONS

GENERAL DATA

Unique Features	<ul style="list-style-type: none"> - Highly rugged design - Oversized consoles for large number of devices
Console Width	<p>9", 12.5", 13.5" or 15"</p> <p>Forward sloping consoles also available in 13.5" and 15" sizes</p>
Max Number of Devices	<p><i>9" Console</i> Up to 13 devices and 1 joystick</p> <p><i>12.5" Console</i> Up to 24 devices and 1 joystick or 22 devices and 2 (1-axis) joysticks</p> <p><i>13.5" Console</i> Up to 27 devices and 1 joystick or 23 devices and 2 joysticks</p> <p><i>15" Console</i> Up to 33 devices and 1 joystick or 31 devices and 2 joysticks</p>
Seat Options	<p>Actimo Seat (Velour or Vinyl)</p> <p><i>Options</i></p> <ul style="list-style-type: none"> - Armrests with tilt and height adjustments - 2-point retractable seat belt - 4-point shoulder harness - Operator presence switch

- Suspension Options
- Mechanical Suspensions*
 - 3 Step (weight up to 285 lbs)
 - Heavy Duty (weight up to 400 lbs)
 - Pneumatic (Air) Suspensions*
 - Standard (weight up to 330 lbs)
 - Wide (weight up to 375 lbs)
 - Heavy Duty (weight up to 485 lbs)

Armrest Type Console mounted armrests with height adjustment.

- Footrest Option
- 2-piece fixed footrest
 - 1-piece (platform-style) fixed footrest

Est. Shipping Weight 490 lbs.

Est. Shipping Dimensions 60 in. x 45 in. x 52 in.

ADJUSTMENT FEATURES

System Rotation Optional, up to 270 degrees

System Height ✓

System Tilt ✗

Consoles Slide Forward/Backward Optional

Consoles Tilt ✗

Consoles - Slew In/Out ✗

Armrests - Height ✓

Armrests - Tilt ✗

Armrests - Slide

Forward / Backward ×

Seat - Slide

Forward / Backward ✓

Seat - Recline

✓

Seat - Lumbar

✓

Footrest - Height /

Tilt ×

TECHNICAL DATA

270 degrees max with pin lock or friction brake

Rotation Optional

Pin Lock

4 locking positions (every 90 degrees). Positions can be customized to your specifications.

Friction Brake

System holds throughout +/- 135 degrees of travel.

System with 9" Consoles

23.4" [594 mm]

System with 12.5" Consoles

26.7" [678 mm]

System with 13.5" Consoles

27.3" [693 mm]

Max Turning Radius

System with 13.5" Forward Sloped Consoles

28.1" [715 mm]

System with 15" Consoles

28.7" [729 mm]

System with 15" Forward Sloped Consoles

29.5" [748 mm]

Slide Range 8" [203 mm] single seat slide range
16" [406 mm] dual seat slide range (optional)

Armrest Adjust Range Height: 3.5" [75 mm]

Console Adjust Range 8" [203 mm] console slide range (optional)

Backrest Recline *Actimo Seat*
80 degrees
46 degrees with 4-point shoulder harness

Seat Cushion Adjust Range *Actimo Seat*
Depth: 2.4" [60 mm] in 5 increments forward
Tilt: 3-11 degrees in 4 increments

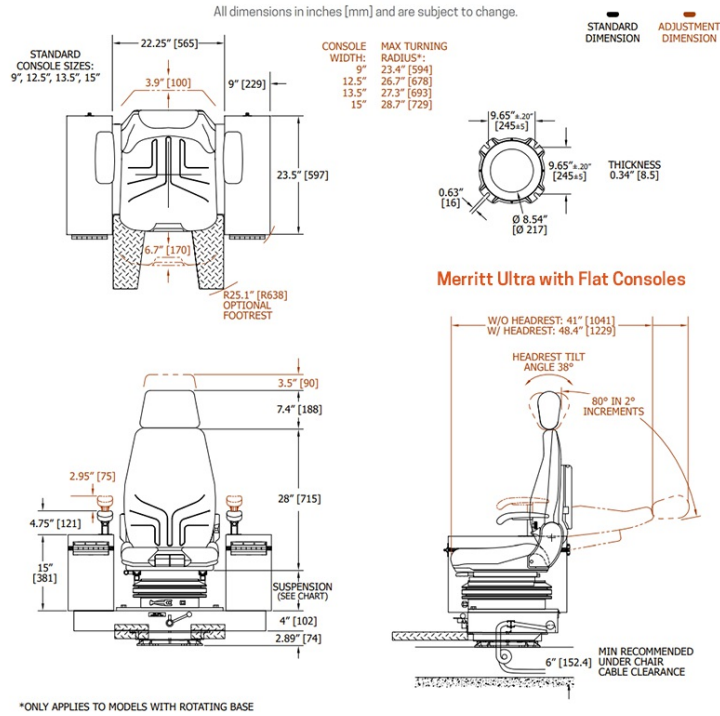
Headrest Adjust Range *Actimo Seat*
Height adjustment: 3.5" [90mm]
Tilt: 38 degrees

Under Chair Cable Clearance 6" [152.4 mm] Min

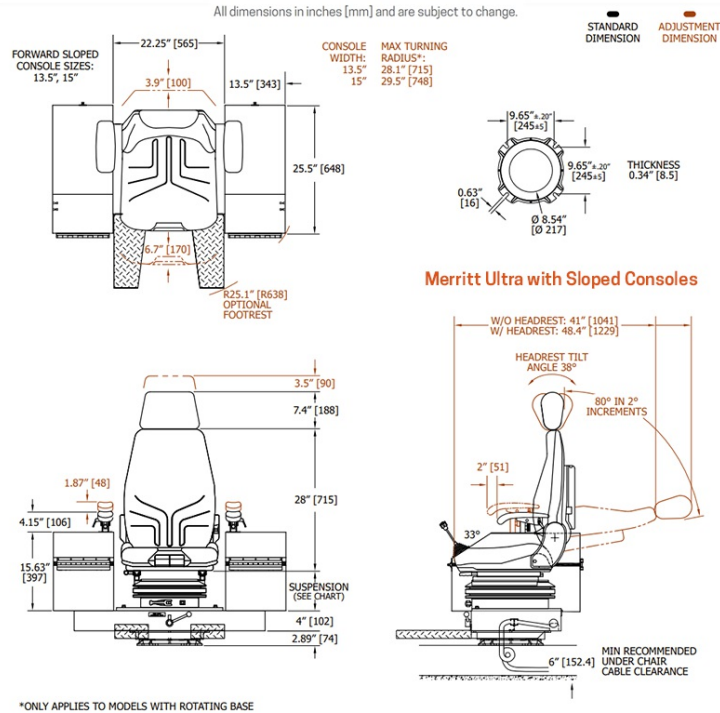
Additional Specifications Reference product literature for additional specifications and options

Technical Drawings

Dimensional

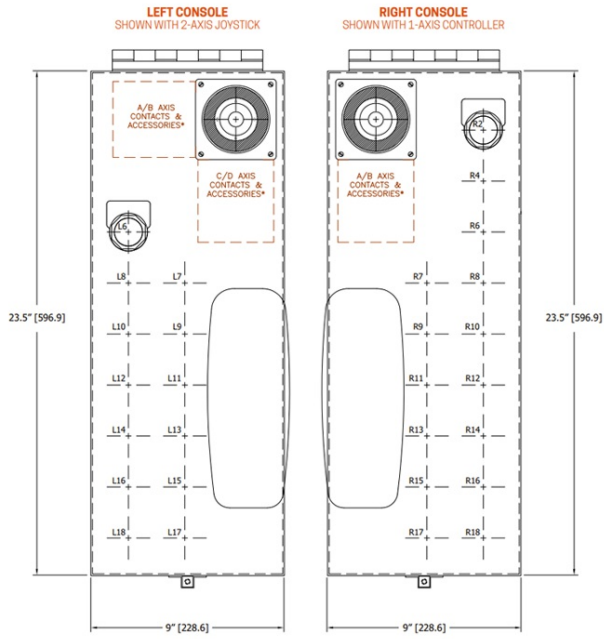


Flat console model dimensions



Sloped console model dimensions

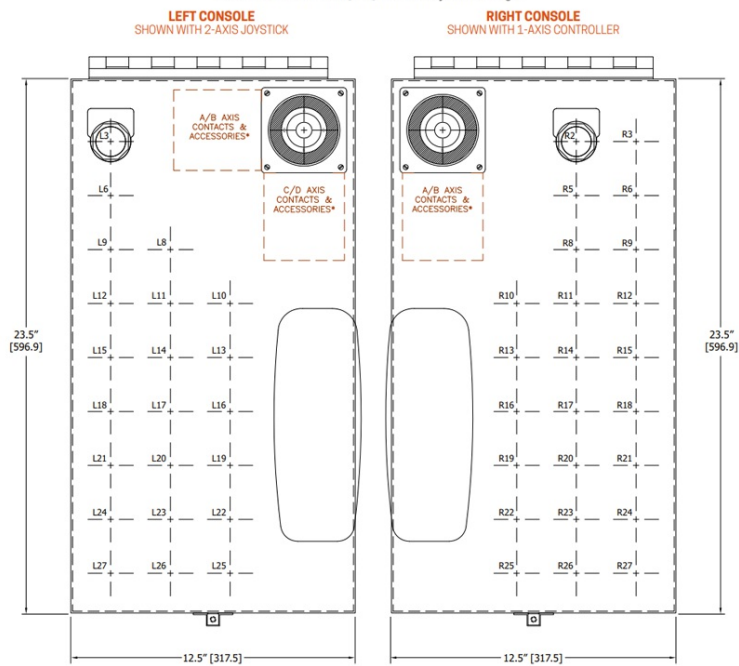
All dimensions in inches [mm] and are subject to change.



*Outline represents joystick drive with 5 contact blocks or 2 contact blocks with a potentiometer or encoder

9 inch console standard layout

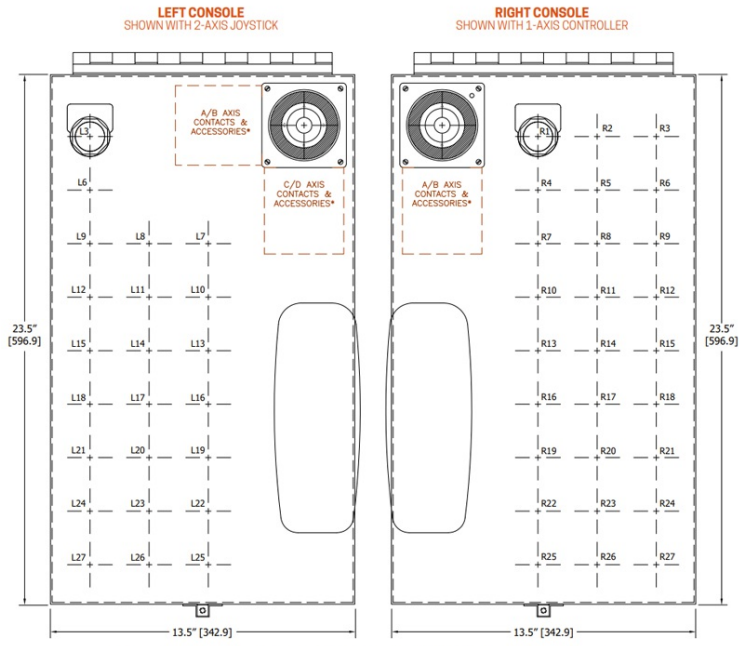
All dimensions in inches [mm] and are subject to change.



*Outline represents joystick drive with 5 contact blocks or 2 contact blocks with a potentiometer or encoder

12.5 inch console standard layout

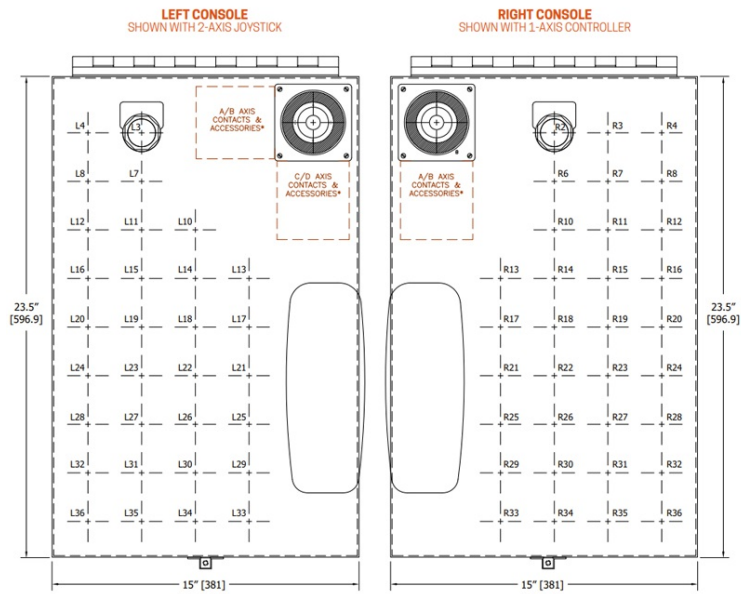
All dimensions in inches [mm] and are subject to change.



*Outline represents joystick drive with 5 contact blocks or 2 contact blocks with a potentiometer or encoder

13.5 inch console standard layout

All dimensions in inches [mm] and are subject to change.



*Outline represents joystick drive with 5 contact blocks or 2 contact blocks with a potentiometer or encoder

*Outline represents joystick drive with b contact blocks or 2 contact blocks with a potentiometer or encoder

15 inch console standard layout